

# 4-152SL Hinge Pr05 SNAP-LINE 180°

Frame leaf tool-less installation, Surface mounted door, IP65, Single cabinet,  
Door bending 20mm

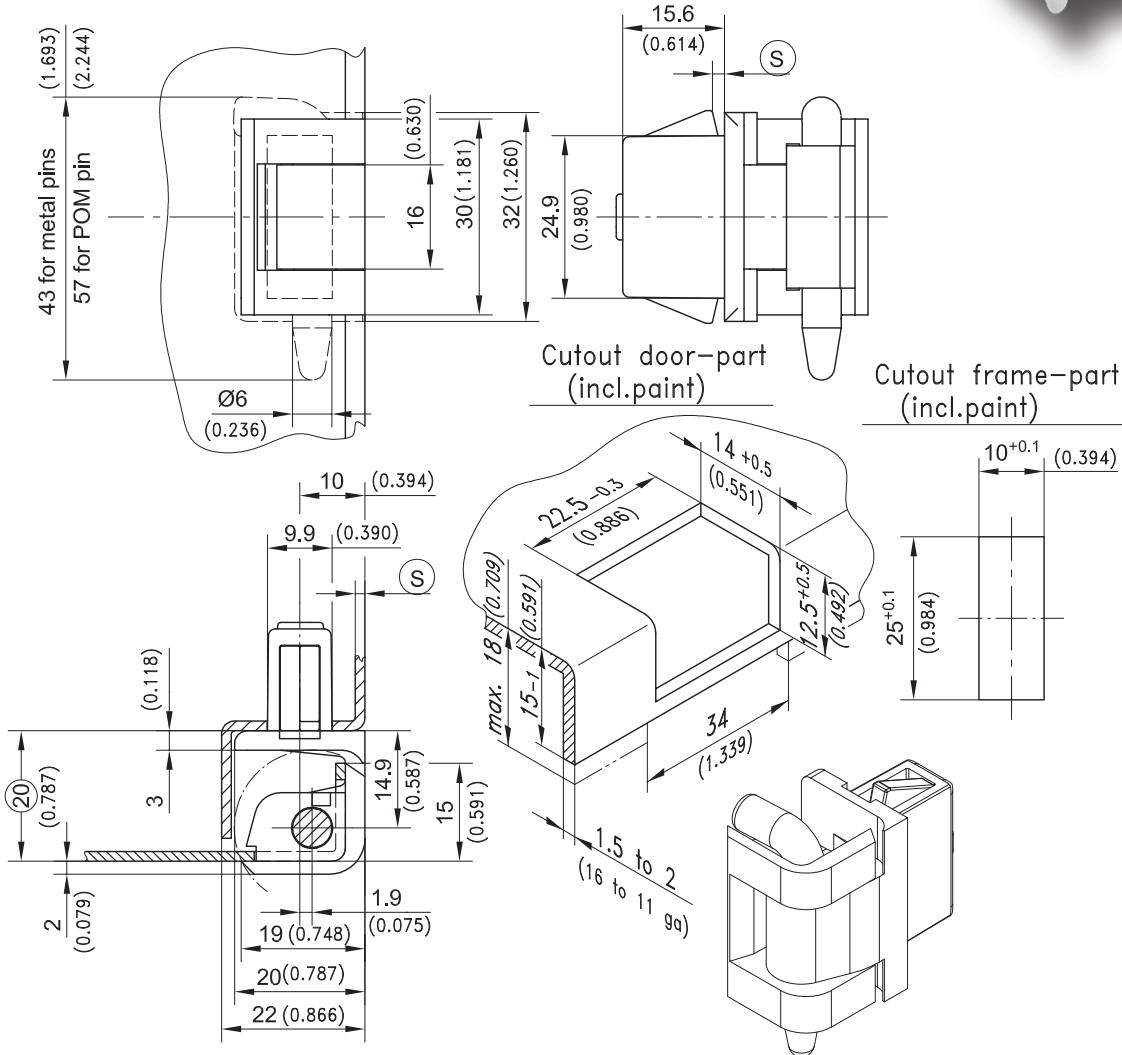


## Product Notes:

- Use with single cabinets
- RH and LH application
- Frame leaf Installed by a simple push into the cutout
- Water and dust tight according to IP65, DIN EN 60529 with O-rings (not included)
- **NOTE: Light applications only**
- Screw-on - see Product System 4-152 and 7-132
- Stainless steel - see Product System 7-132 and 7-152SL

## Material:

- **Leaves:** Zinc Die, Matt Black
- **Pin:** Steel, Zinc Plated, Stainless Steel AISI 304 or POM
- **Wings:** Sintered Steel, Zinc Plated
- **O-Ring:** NBR, black



## 180° Hinge

Clamping Range <sup>Ⓢ</sup>	Pin: Steel Zinc Plated	Pin Stainless Steel	Pin: POM Self-securing	See Page
1.2 - 1.7	412-9059.00-01217	412-9060.00-01217	412-9061.00-01217	
1.7 - 2.2	412-9059.00-01722	412-9060.00-01722	412-9061.00-01722	

## Other <sup>Ⓢ</sup> dimensions on request

### Optional:

Water and dust tight according to IP65 by:

O-ring 21x2mm	839-3770.40-02120	839-3770.40-02120	839-3770.40-02120	
Cover for cutout 25x10mm	292-0403.06-09005	292-0403.06-09005	292-0403.06-09005	10.14
Cover for cutout 25x10mm	292-0403.06-07035	292-0403.06-07035	292-0403.06-07035	10.14
Tool for uninstallation	292-0306.80-02530	292-0306.80-02530	292-0306.80-02530	10.17