

# 4-152 Hinge Pr05 180°

Surface mounted door, Single cabinet, Door bending 20mm

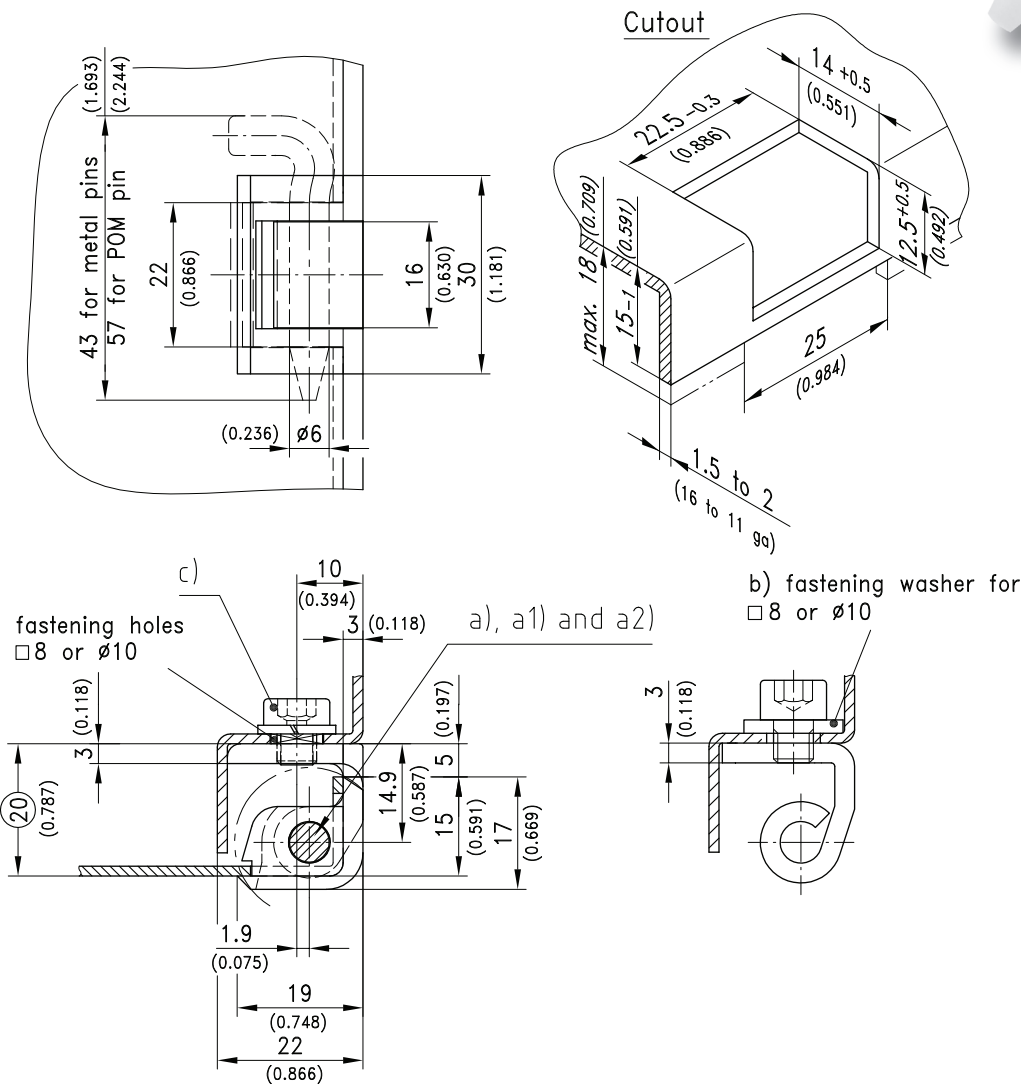


## Product Notes:

- RH and LH application
- Frame leaf has two M6 threaded square stubs for fastening to panel
- Optional steel frame leaf for heavy duty applications
- Tool-less installation - see Product System 4-152SL and 7-152SL
- Stainless steel - see Product System 7-132 and 7-152SL

## Material:

- **Frame leaf:** Zinc Die, Chrome Plated, Black Coated or Steel, Black Coated
- **Fastening washer:** Steel, Zinc Plated
- **Door leaf:** Zinc Die, Chrome Plated or Black Coated
- **Pin:** Steel, Stainless Steel or POM



Hinge with	Frame Leaf Zinc Die Chrome Plated	Frame Leaf Zinc Die Black	Frame Leaf Steel Black	See Page
a) Pin, steel (Zinc Plated)	212-9056	212-9059	212-9062	
a1) Pin, stainless steel	212-9057	212-9060	212-9063	
a2) Pin, POM (natural)	212-9058	212-9061	212-9064	
b) Fastening washer for steel frame leaf is included.				

Stainless steel version	04.148
-------------------------	--------

c) Screws	202-0606	10.22
-----------	----------	-------