

7-134 Hinge Pr05 180°

Surface mounted door, Stainless Steel, Single cabinet, Door bending 20mm

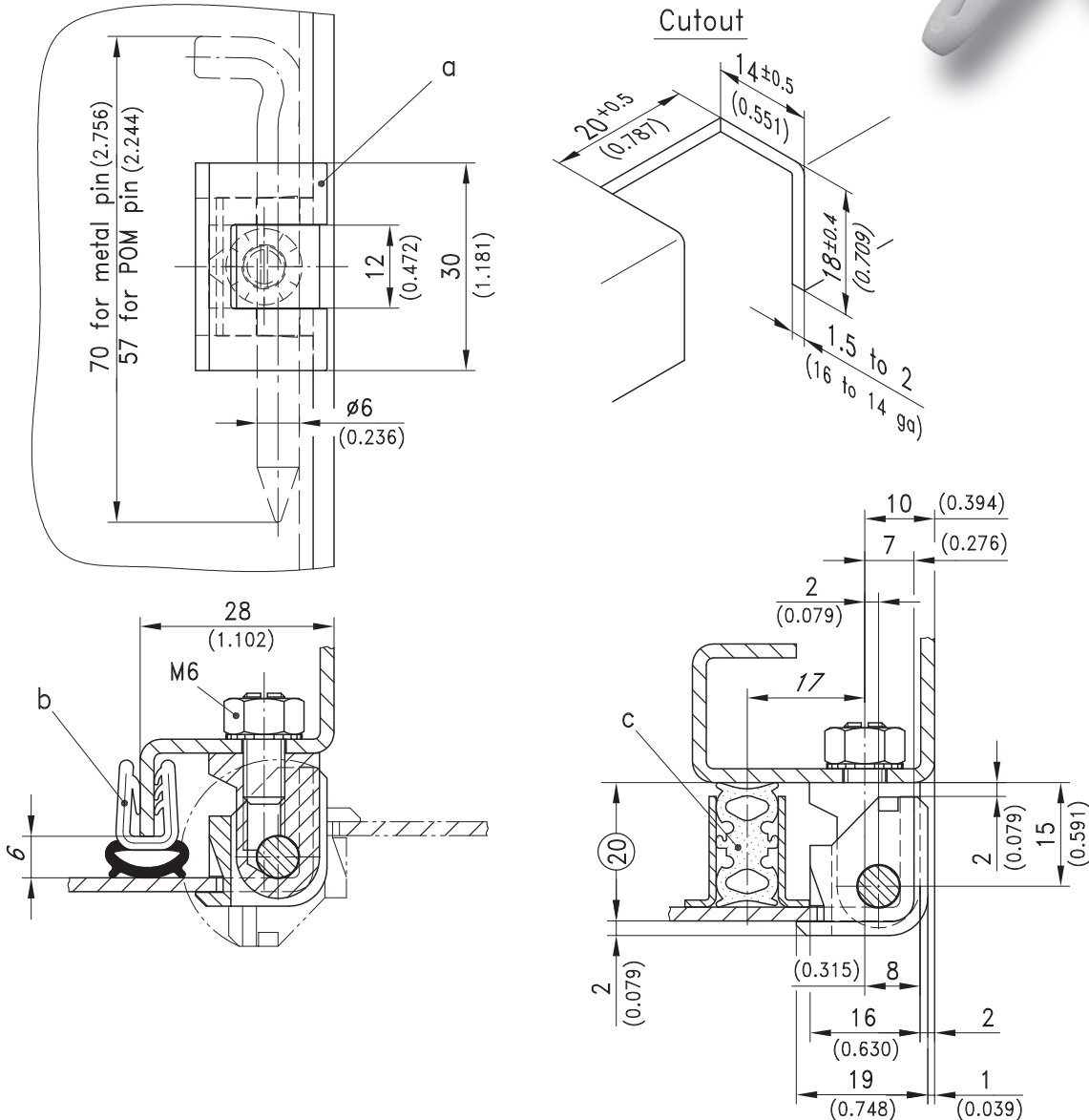


Product Notes:

- RH and LH application
- POM pin is self-securing
- Zinc die - see Product System 4-150
- Tool-less installation - see Product System 4-150SL

Material:

- **Hinge leaves:** Stainless Steel AISI 316
- **Pin:** POM or Stainless Steel



180° Hinge	Part No.	See Page
a) With pin, Stainless Steel	212-9201	
a1) With pin, POM	212-9202	

Stud, serrated washer and nuts are included.

b) Clip-on profile	209-0201	05.12
c) Clip-on profile	209-0122	05.08