

4-150SL Hinge Pr05 SNAP-LINE 180°

Frame leaf tool-less installation, Surface mounted door, Single cabinet,
Door bending 20mm

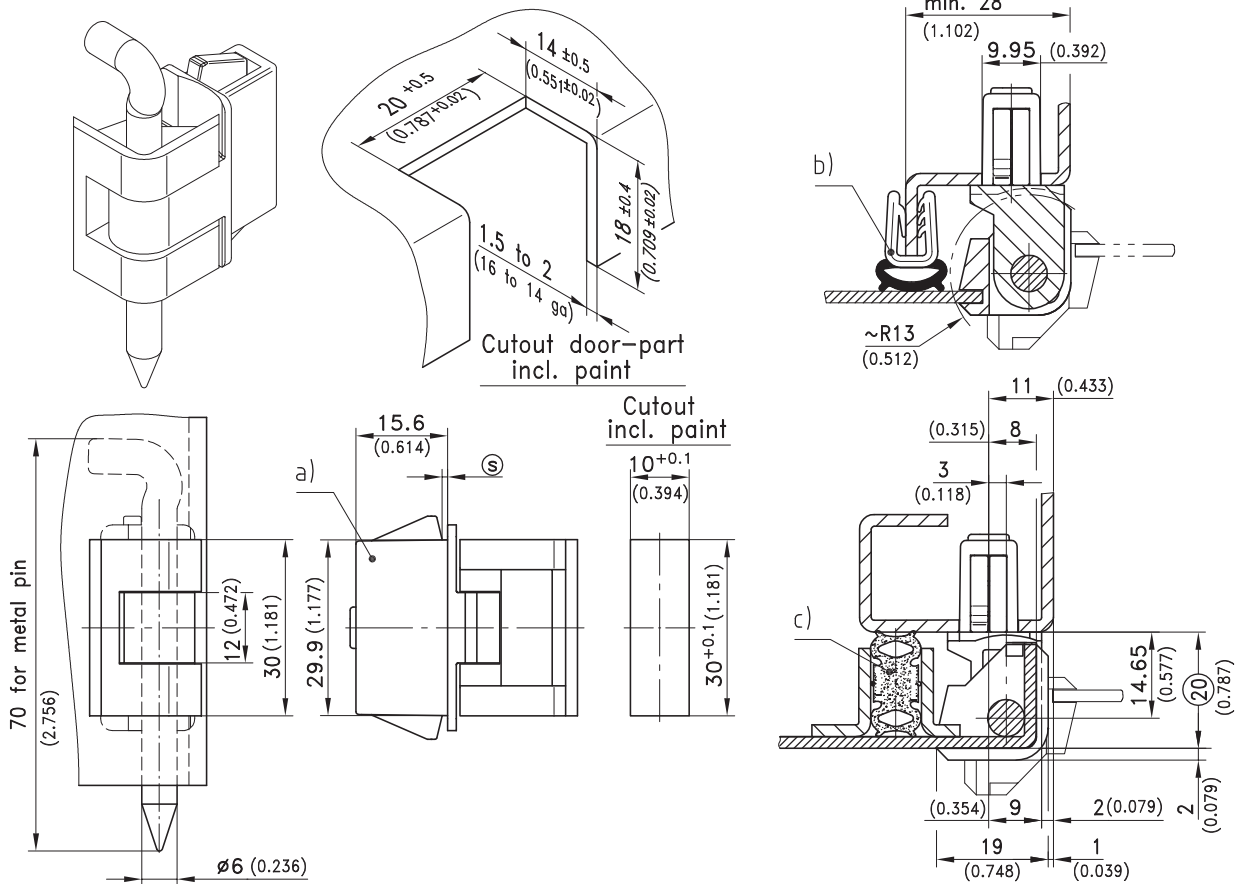
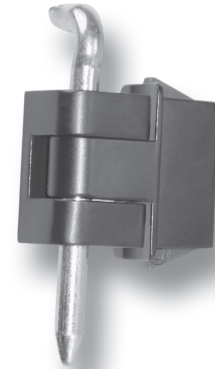


Product Notes:

- Use with single cabinets
- RH and LH application
- Door leaf has 2 stubs to keep in position during insertion of the pin.
- Frame leaf Installed by a simple push into the cutout
- Screw-on - see Product System 4-150
- Stainless steel - see Product System 7-134

Material:

- **Leaves:** Zinc Die, Matt Black
- **Wings:** Sintered Steel



	Clamping Range [Ⓢ]	Part No.	See Page
a) 180° Hinge	1.2 - 1.7	412-9101.00-00015	
	1.7 - 2.2	412-9101.00-00020	
	2.2 - 2.7	412-9101.00-00025	
	2.7 - 3.2	412-9101.00-00030	
POM and stainless steel on request			
b) Gasket		209-0201.00-00000	05.12
c) Clip-on profile		209-0122.00-00000	05.08
Cover for cutout 30x10mm		292-0401.00-03010	10.14
Reinforcement plate for cutout 30x8 and 30x10mm		292-0702.15-01030	10.16
Tool for uninstallation		292-0306.80-02530	10.17