

7-133 Hinge Pr05 180°

Surface mounted door, Stainless Steel, Single cabinet, Door bending 16mm

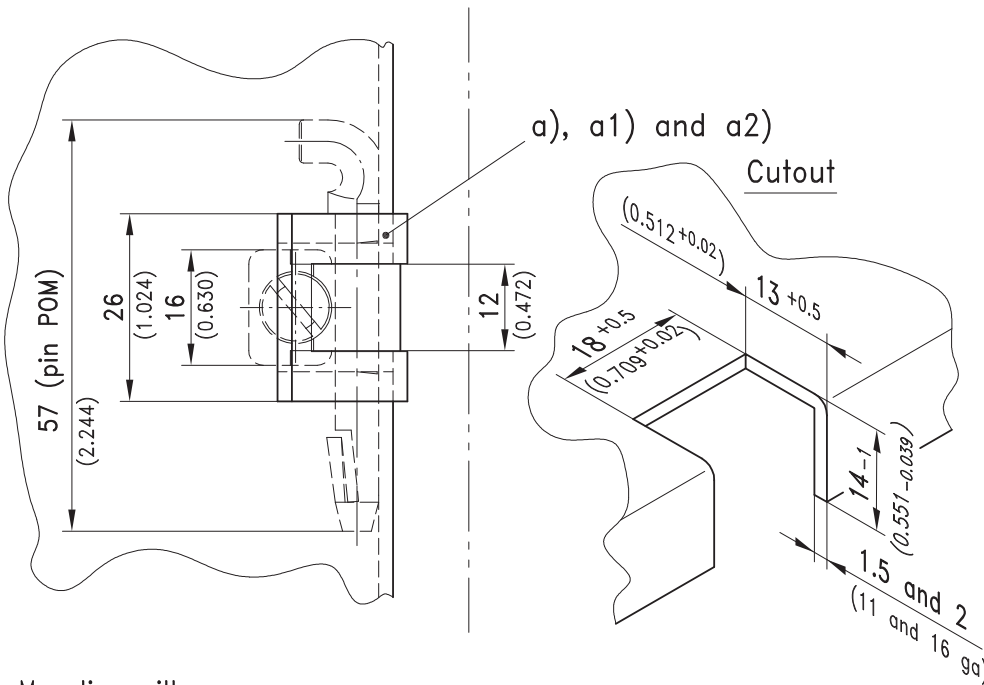


Product Notes:

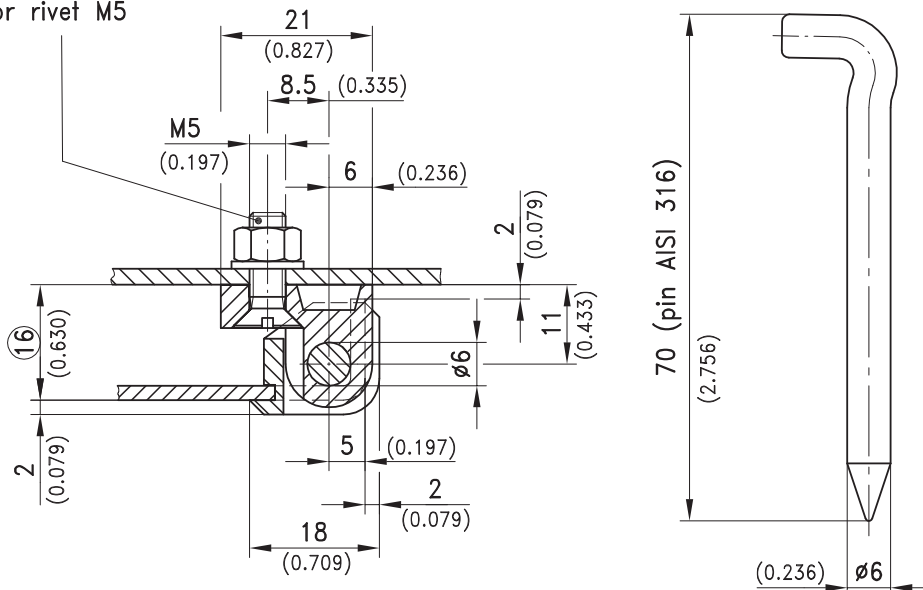
- RH and LH application
- The POM pin is self-securing
- Zinc die- see Product System 4-145

Material:

- **Hinge leaves:** Stainless Steel AISI 316
- **Pin:** POM or Stainless Steel



Mounting with countersunk screw M5 or rivet M5



180° Hinge	Part No.	See Page
a) Door thickness 1.5mm/0.059 and pin-length 70mm/2.756 AISI 316	212-9704	
a1) Door thickness 2mm/0.079 and pin-length 70mm/2.756 AISI 316	212-9713	
a2) Door thickness 2mm/0.079 and pin-length 57mm/2.244 POM	212-9703	

screws and nuts

10.23