

# 4-145 Hinge Pr05 180°

Surface mounted door, Single cabinet, Door bending 16mm

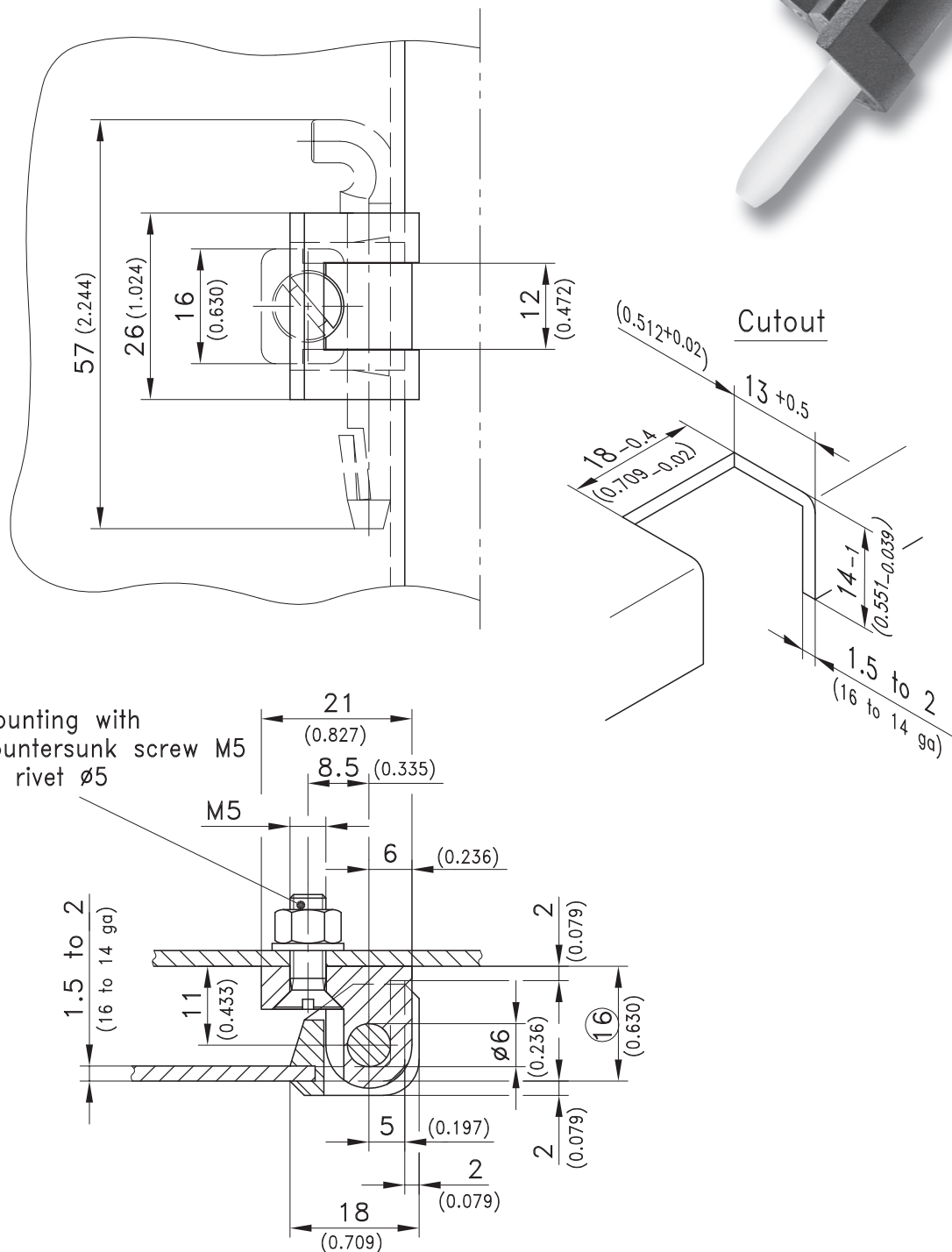
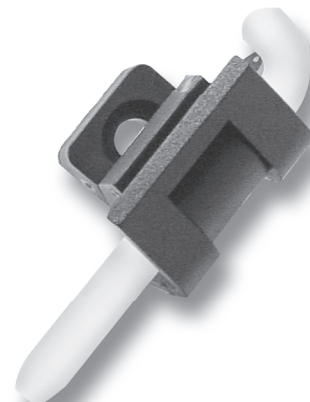


## Product Notes:

- Self securing pin
- RH and LH application
- Stainless steel - see Product System 7-133

## Material:

- Leaves: PA, Black
- Pin: POM



Hinge	Part No.	See Page
	212-9101	
<b>Stainless steel version</b>		<b>04.141</b>
<b>Countersunk machine screws and nuts</b>		<b>10.23</b>