

# 7-166 Concealed Hinge Pr03 120°

Surface mounted door, Stainless Steel, Lift-off, Door bending 25mm



## Product Notes:

- RH and LH application
- By rotating the pivot pin 1/4 turn, door can be removed without the removal of hinge pin
- Zinc die - see Product System 4-124, 4-124SL, 4-125 and 4-125SL

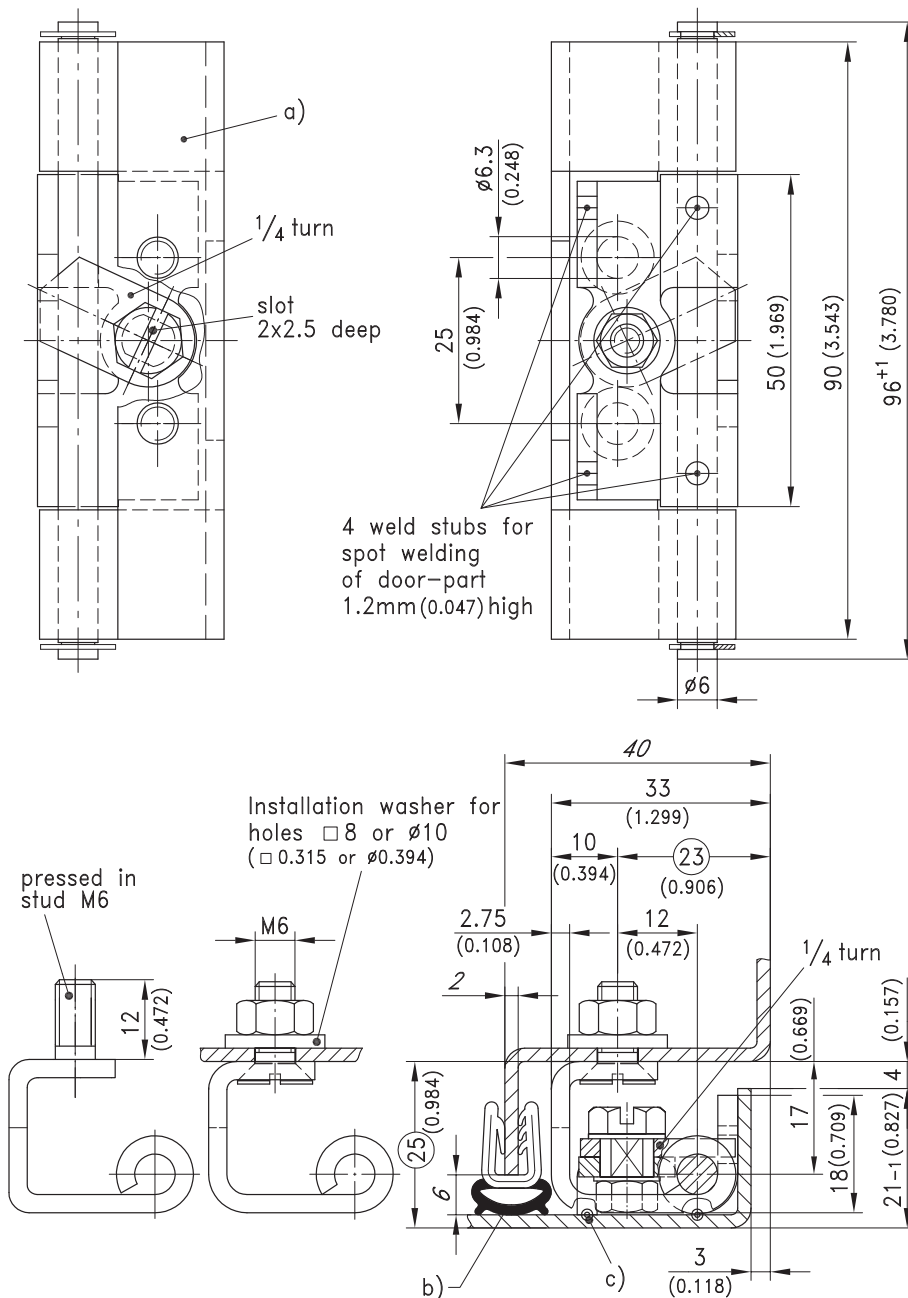
- Tool-less installation - see Product System 4-124SL, 4-125SL and 7-164SL
- Other stainless steel - see Product System 7-164SL, and 7-165

## Material:

- **Frame leaf, quarter turn, pin and installation washer:** Stainless Steel AISI 304



view of 180° rotated angle



Version	Frame Holes	Part No.	See Page
a) Frame leaf with countersunk holes for M6	$\phi 6.3$ or M6	243-9206	
a1) as a), but with installation washer	$\square 8$ or $\phi 10$	243-9207	
a2) as a) and a1), but with pressed in M6 stud	$\phi 6.3$ , $\square 8$ , $\phi 10$	243-9210	
b) Clip-on profile		209-0201	05.12
c) Concealed hinge			04.139