

4-124 Concealed Hinge Pr03 120°

Surface mounted door, Door bending 25mm

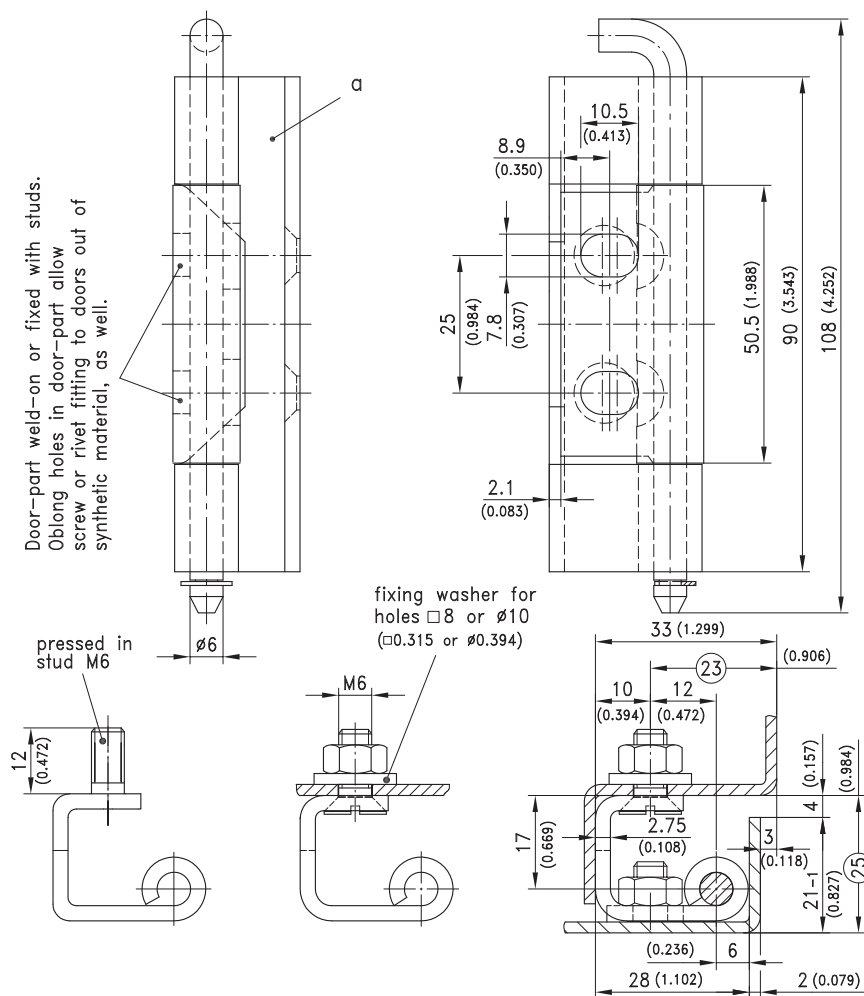


Product Notes:

- Use with rod latch system - see Product System 3-170
- RH and LH application
- Other zinc die - see Product System 4-125, 4-124SL and 4-125SL
- Tool-less installation - see Product System 4-124SL, 4-125SL and 7-164SL
- Stainless steel - see Product System 7-164SL, 7-165 and 7-166

Material:

- **Frame leaf:** Steel, Zinc Plated
- **Door leaf:** Steel, Untreated
- **Pins:** Steel, Zinc Plated add. by a1)
- **Fastening washer:** Steel, Zinc Plated
- **all parts:** Steel, Zinc Plated



		Part No.		
Door leaf steel, untreated, weld-on	Frame Holes	Pin Standard	Pin with Groove	See Page
a) Frame leaf countersunk for M6	Ø6.3 or M6	243-9103	243-9104	
a1) as a), but with fastening washer	□8 or Ø10	243-9101	243-9102	
a2) as a) and a1), but with pressed in stud M6 and fastening washer	Ø6.3, □8, Ø10	243-9109	243-9110	
Door leaf steel, zinc plated, screw-on				
b) Frame leaf with countersunk for M6	Ø6.3 or M6	243-9107	243-9108	
b1) Frame leaf as b), but with fastening washer	□8 or Ø10	243-9105	243-9106	
b2) as b) and b1) but with pressed in stud M6 and fastening washer	Ø6.3, □8, Ø10	243-9111	243-9112	
Stainless steel version				04.131
Countersunk machine screws and nuts				10.23