

4-135 Concealed Hinge Pr03 120°

Surface mounted door, Door bending 23mm

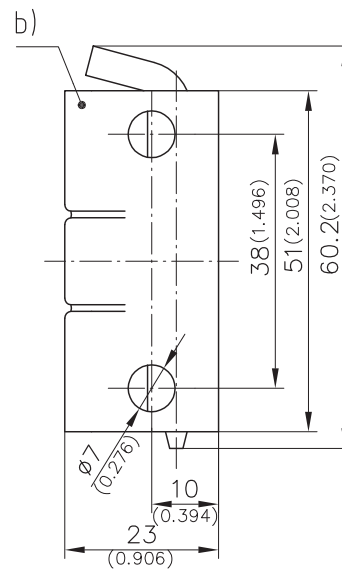
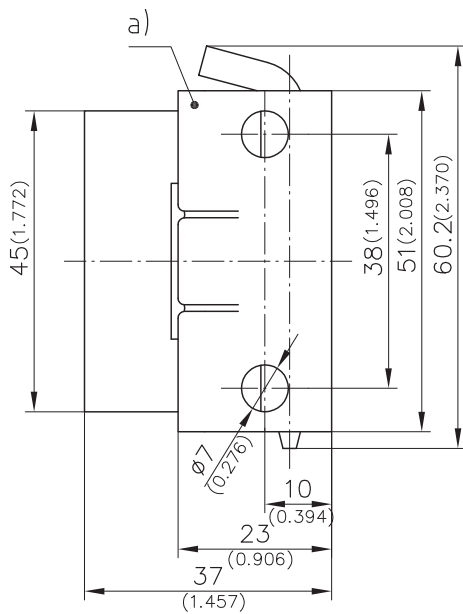
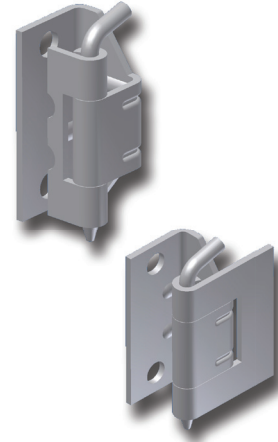


Product Notes:

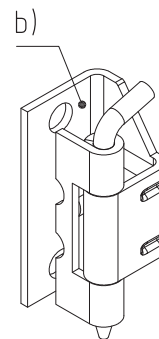
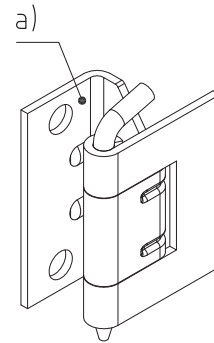
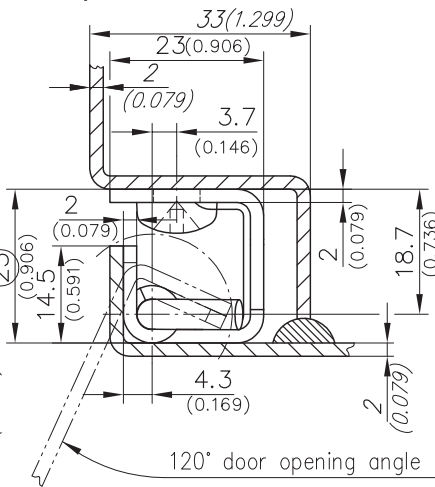
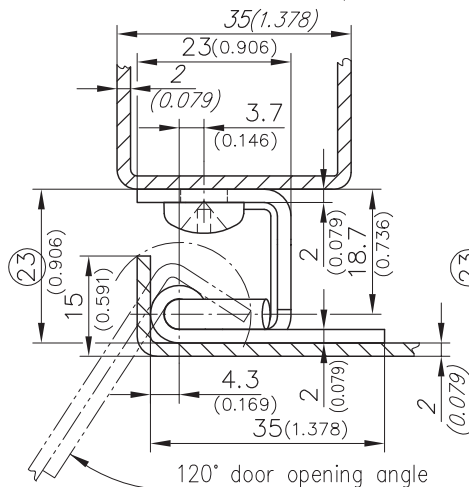
- Concealed
- 120° opening angle
- Two different fastenings on the door:
 - 1) Door leaf weld-on the door.
 - 2) Door leaf weld-on the bending.
- RH and LH application
- Frame leaf fastens to panel with cross recessed raised cheese head M6 DIN-EN-ISO 7045 screw

Material:

- **Door leaf:** Steel, Untreated
- **Frame leaf:** Steel, Zinc Plated
- **Pin:** Steel, Zinc Plated



Example of use turned by 180°



Version	Part No.
a) Hinge	216-9008
b) Hinge	216-9013