

7-160 Concealed Hinge Pr03 120°

Surface mounted door, Stainless Steel, Door bending 26mm

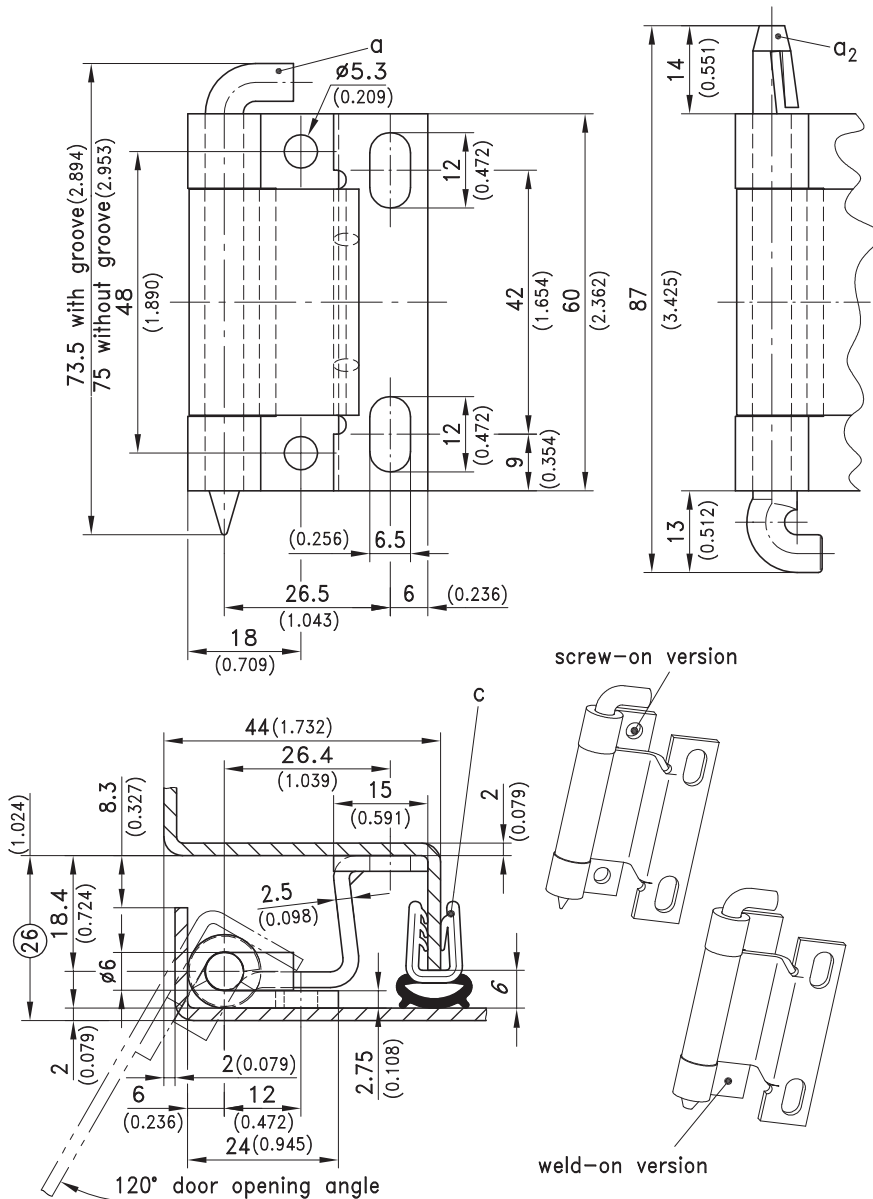
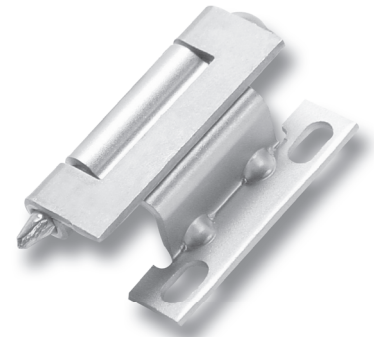


Product Notes:

- RH and LH application
- Fasten frame leaf to panel with screws
Fasten door leaf to panel with screws or welding
- POM pin is self-securing

Material:

- **Hinge leaves:** Stainless Steel AISI 304
- **Pin:** Stainless Steel AISI 304 or POM



120° Concealed Hinge	Door Leaf - Screw-on	Door Leaf - Weld-on	See Page
a) Pin without groove, Stainless Steel	216-9104	216-9122	
a1) Pin with groove for retaining ring, Stainless Steel	216-9112	216-9126	
a2) Pin, POM	216-9106	216-9124	
Optional:			
b) Retaining ring DIN 6799 RS4 for versions a1)	800-0138	800-0138	
c) Clip-on profile	209-0201	209-0201	05.12