

4-130 Concealed Hinge Pr03 120°

Surface mounted door, Door bending 20mm

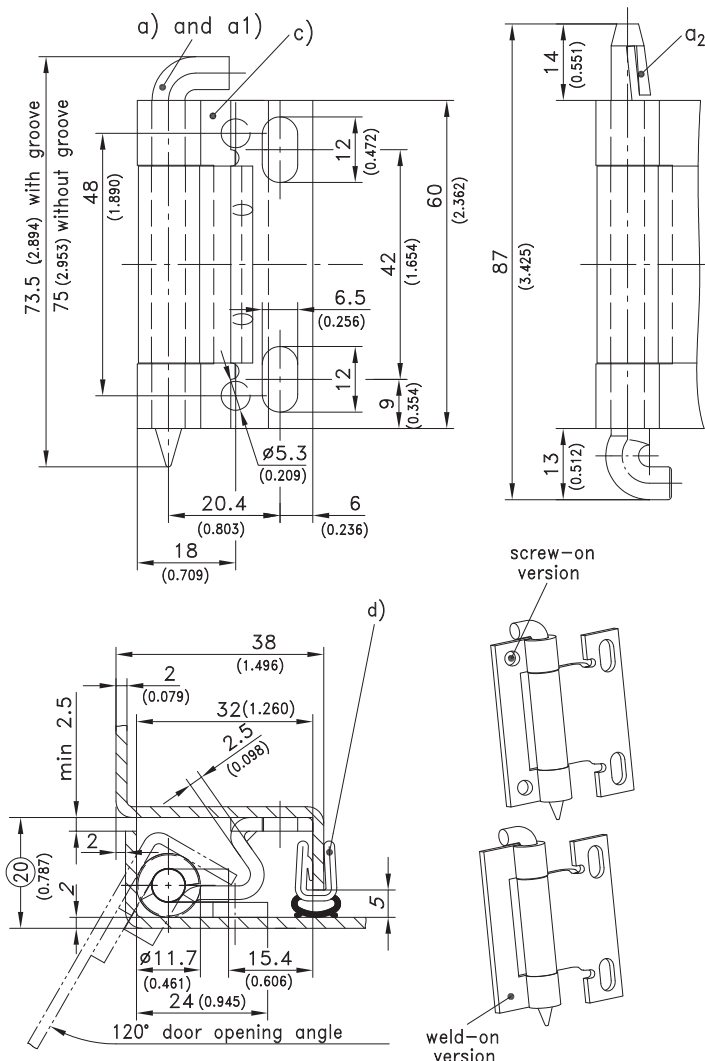


Product Notes:

- RH and LH application
- The width of the door leaf allows for spot welding
- Hinge can be supplied with a self-securing POM pin that can be mounted upside down for short enclosures
- Fasten door leaf to panel with screws or welding.
- Fasten frame leaf to panel with screws

Material:

- **Frame leaf:** Steel, Zinc Plated
- **Door leaf:** Steel, Untreated
- **Pin:** Steel, Zinc Plated or POM



120° Hinge, Door bending 20	Door Leaf Screw-on	Door Leaf Weld-on	See Page
a) Pin without groove	216-9003	216-9024	
a1) Pin with groove for retaining ring	216-9011	216-9025	
a2) Pin POM self-securing	216-9006	216-9026	
Order separately:			
b) Retaining ring DIN 6799 RS4 for pin with groove	800-0137	800-0137	
c) Door leaf like roll Ø6			04.104
d) Clip-on profile	209-0205	209-0205	05.12
Stainless steel version			04.122