

7-140 Concealed Hinge Pr03 120°

Surface mounted door, Stainless Steel, Door bending 20mm

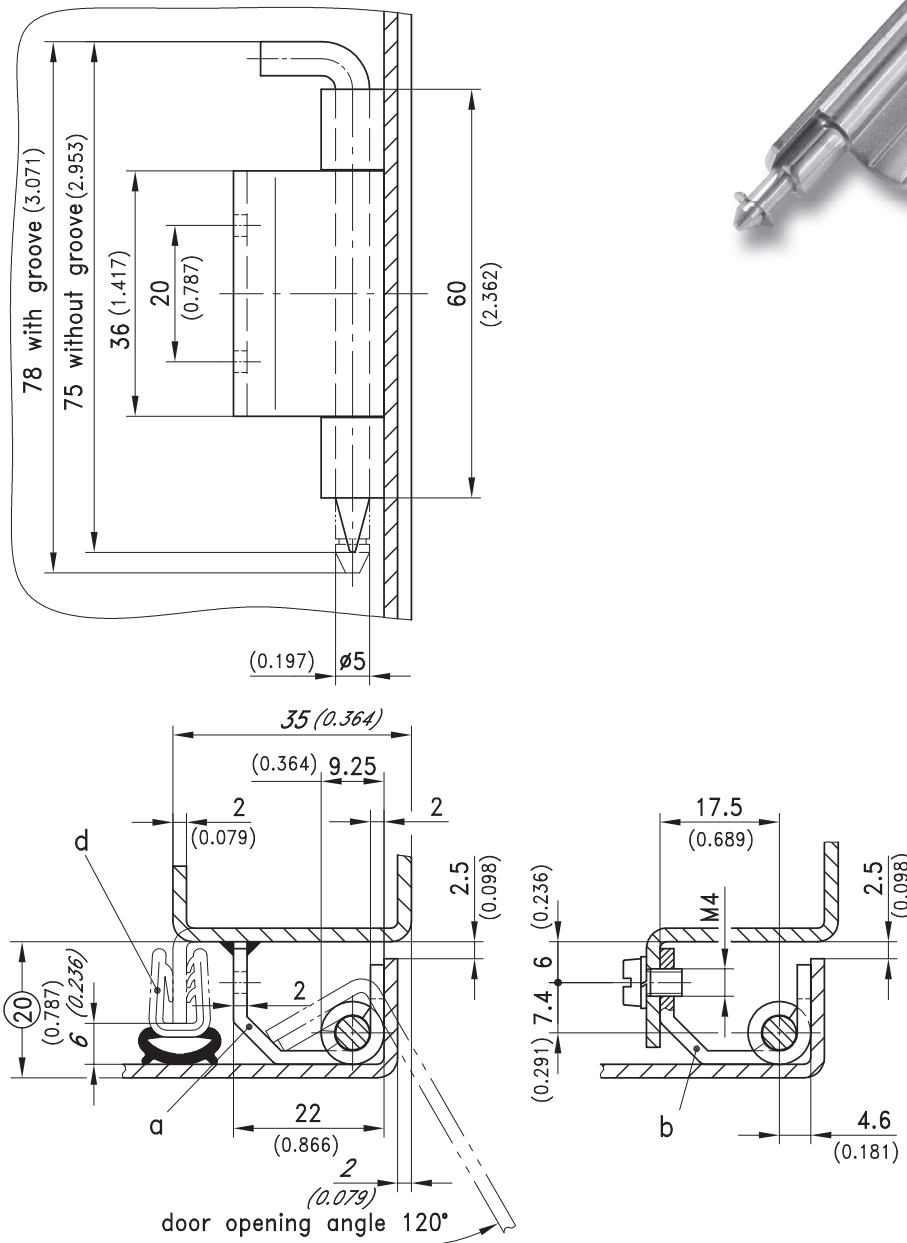


Product Notes:

- RH and LH application
- Zinc die - see Product System 4-120

Material:

- **Hinge parts:** Stainless Steel AISI 304
- **Pin:** Stainless Steel AISI 303 or 316L



Version	Material Hinge Leaves	Material Pin	Part No.	See Page
a) Hinge, weld-on, pin without groove	AISI 304	AISI 303	216-9101	
a1) as a), but pin with groove for retaining ring	AISI 304	AISI 303	216-9109	
b) Hinge, screw-on, pin without groove	AISI 304	AISI 303	216-9102	
b1) as b), but pin with groove for retaining ring	AISI 304	AISI 303	216-9110	
b2) as b1)	AISI 316L	AISI 316L	216-9121*	

Optional:

c) Retaining ring DIN 6799 RS4 for versions a1), b1) and b2)			800-0138	
d) Clip-on profile			209-0201	05.12
* Only on request				