

4-120 Concealed Hinge Pr03 120°

Surface mounted door, Door bending 20mm

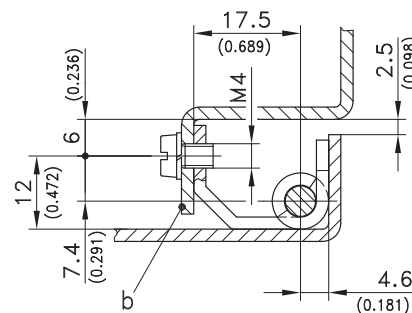
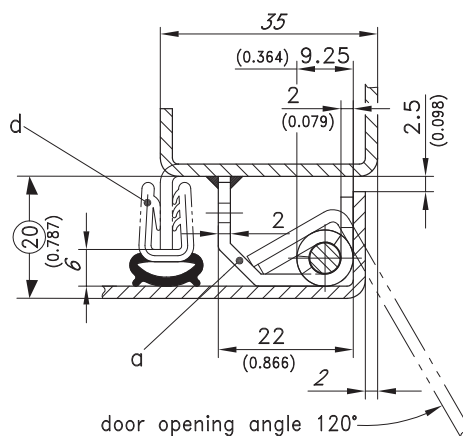
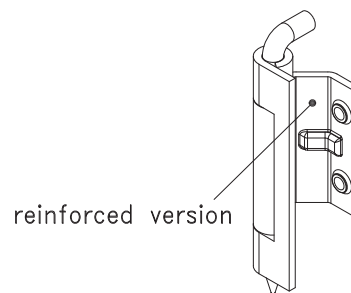
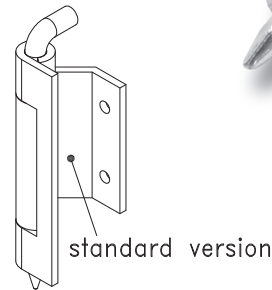
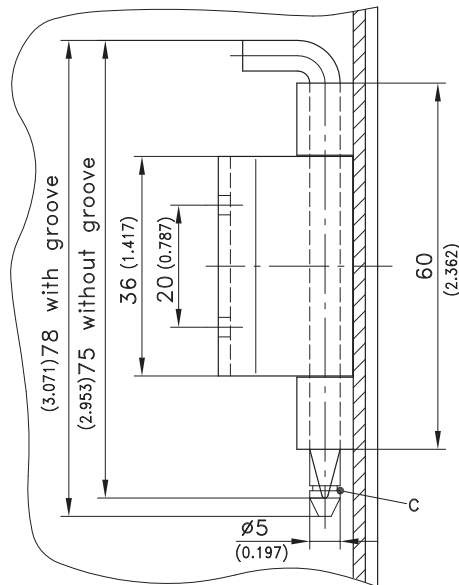


Product Notes:

- RH and LH application
- Frame leaf fastens to panel with screws or weld-on
- Stainless steel - see Product System 7-140

Material:

- **Leaves:** Steel, Untreated
- **Frame leaf:** Steel, Zinc Plated
- **Door leaf:** Steel, Untreated
- **Pins:** Steel, Zinc Plated



	Standard Version	Reinforced Version	See Page
a) Hinge assembly, weld-on, pin without groove	216-9001	216-9020	
a1) as a), but pin with groove for retaining ring	216-9009	216-9018	
b) Hinge assembly, screw-on, pin without groove	216-9002	216-9021	
b1) as b), but pin with groove for retaining ring	216-9010	216-9019	
Please order separately:			
c) Retaining ring DIN 6799 RS4 for pin with groove	800-0137	800-0137	
Stainless steel version			04.118
d) Clip-on profile	209-0201	209-0201	05.12