

7-139 Concealed Hinge Pr03 120°

Surface mounted door, Stainless Steel, Door bending 20mm

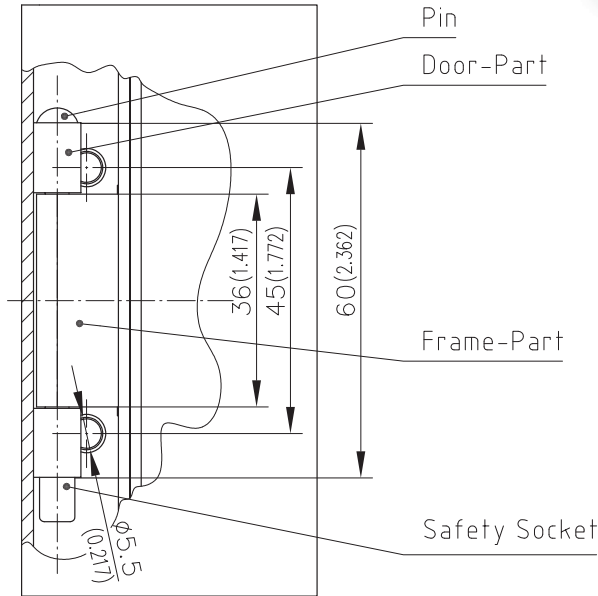
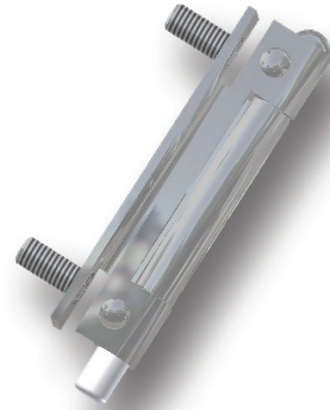


Product Notes:

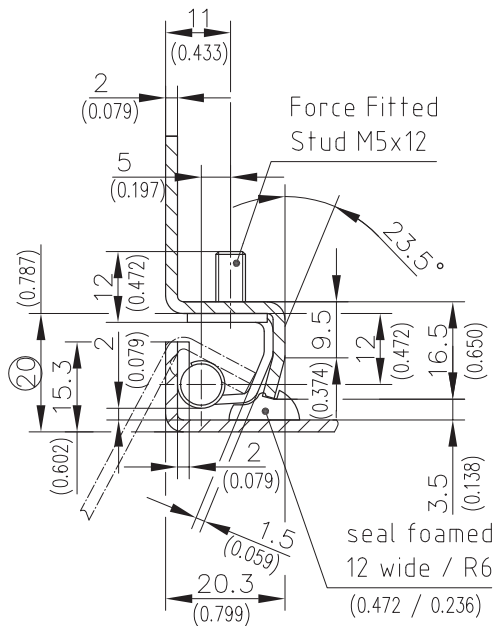
- 120° opening angle
- RH and LH application
- Fasten frame leaf to panel with force fitted M5 stud
- Fasten door leaf by welding at prepared welding spots.
- Pin with PE safety socket
- **NOTE:** When 1.5mm panels are used the assembly dimension changes - drawing available on request
- Zinc die- see Product System 4-119

Material:

- **Frame leaf, Door leaf and pin:** Stainless Steel AISI 304
- **Safety socket:** PE



Example of application with 2mm (0.079) sheet



Concealed Hinge Steel version	Part No. 216-9033	See Page 04.115
----------------------------------	----------------------	--------------------