

4-118 Concealed Hinge Pr03 125°

Surface mounted door, Door bending 20mm

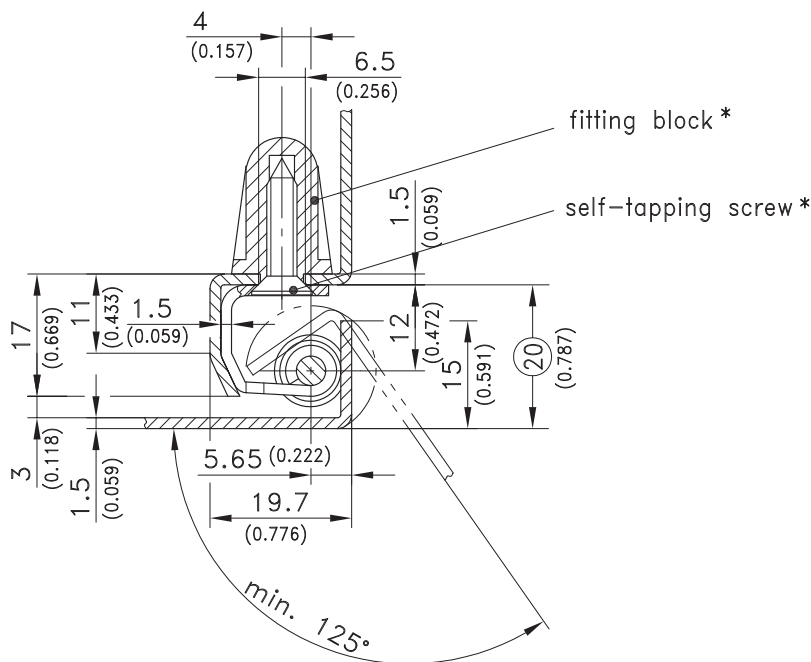
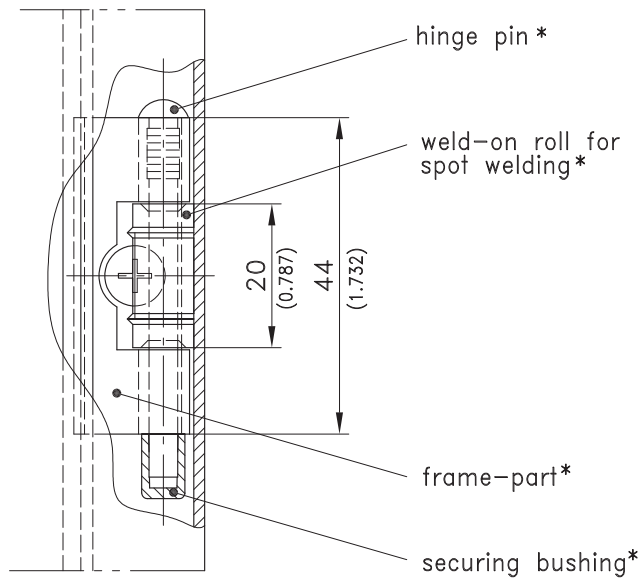
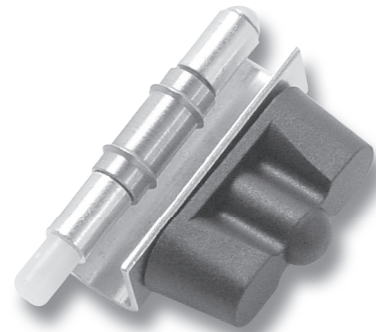


Product Notes:

- Secured hinge pin
- 125° Opening angle
- RH and LH application
- Fitting block screw-on
- Stainless steel - see Product System 7-138

Material:

- **Frame leaf and hinge pin:** Steel, Zinc Plated
- **Weld-on roll:** Steel, Untreated
- **Fitting block:** PA, Black



	Part No.	See Page
Concealed Hinge with screw Philips DIN 7982 ISO 7050 4.2x19mm	216-9015	
Concealed Hinge with screw T-20 ISO 14586 form C 4.2x19mm	216-9035	
*included in hinge-set		
Stainless steel version		04.114