

7-107 Concealed Hinge Pr02 90°

Nested door, Stainless Steel, Adjustable, Door bending 20mm

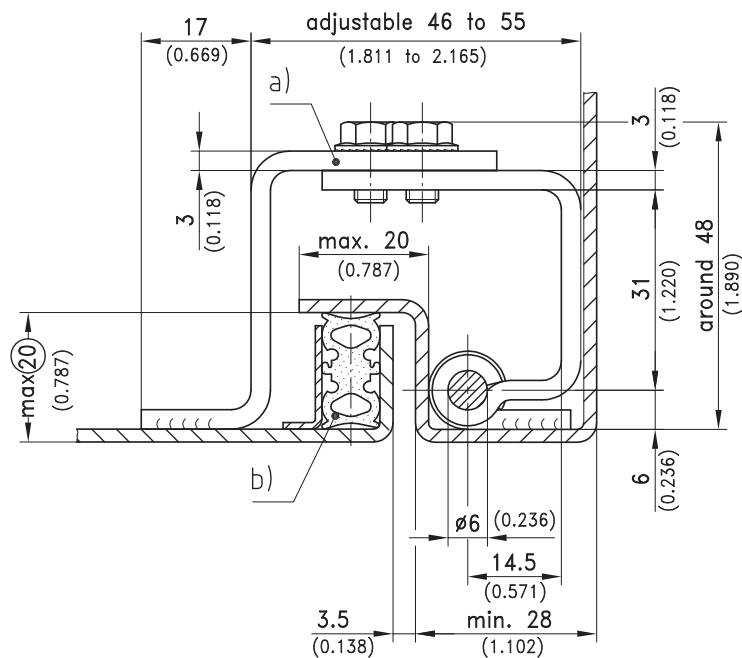
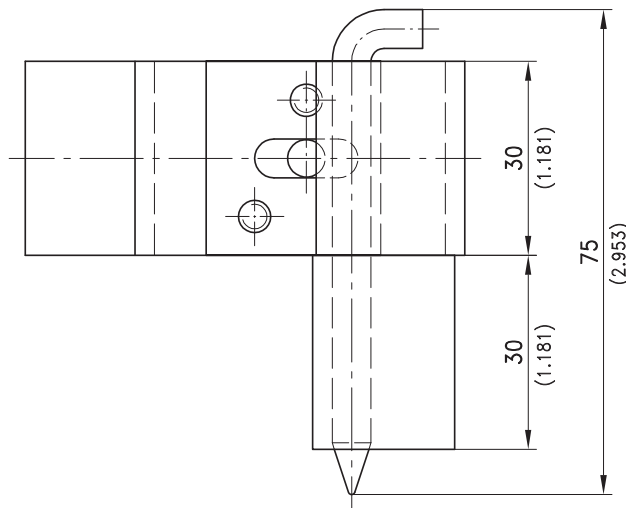


Product Notes:

- Leaves have a central guide to prevent door sagging during adjustment
- RH and LH application
- Zinc die - see Product System 4-100

Material:

- **Hinge:** Stainless Steel AISI 304



| | Part No. | See Page |
|--------------------|----------|----------|
| a) Concealed Hinge | 222-9105 | |
| b) Clip-on profile | 209-0122 | 05.08 |