

4-100 Concealed Hinge Pr02 90°

Nested door, Door bending 20mm

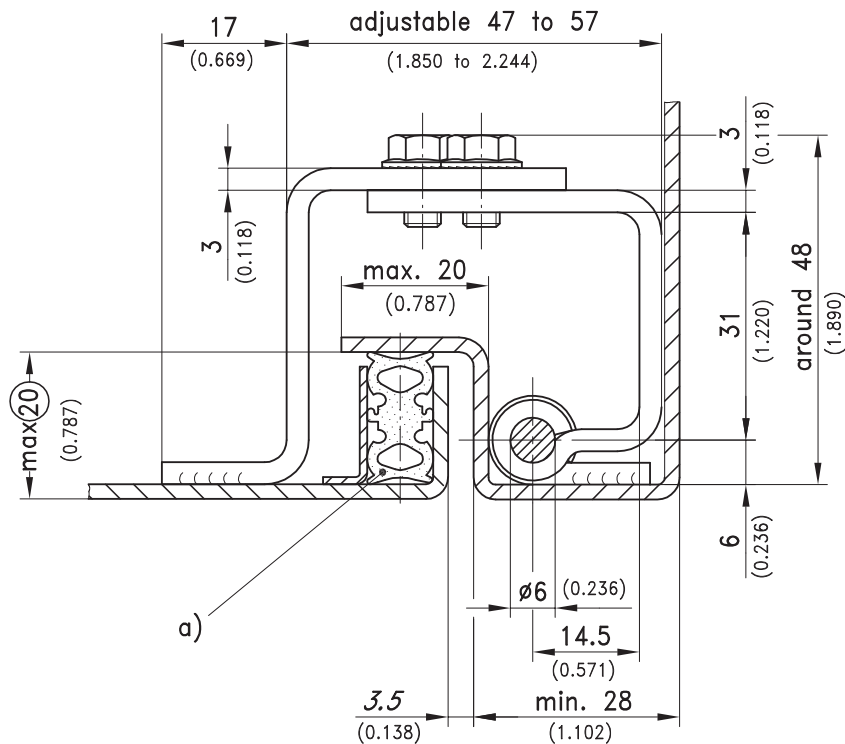
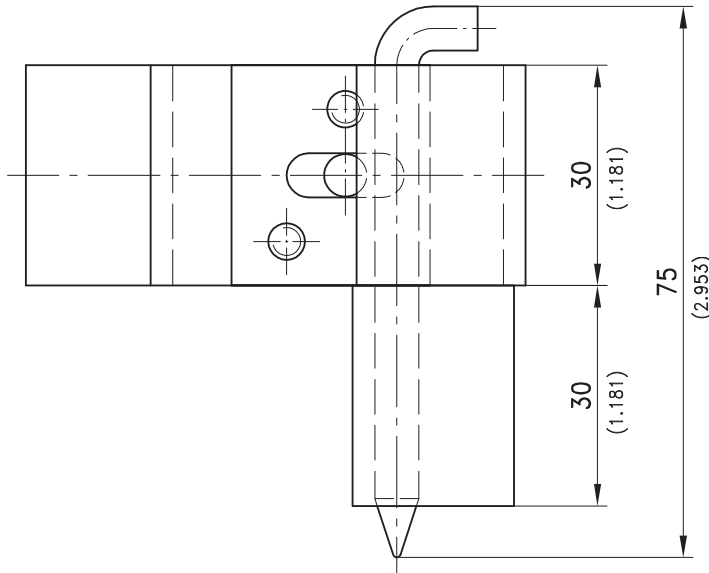
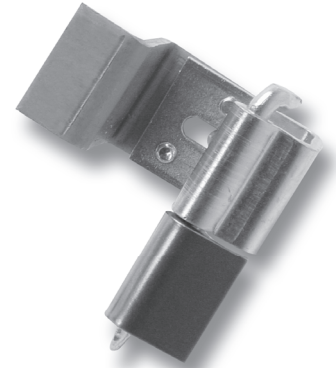


Product Notes:

- Leaves have a central guide to prevent door sagging during adjustment
- RH and LH application
- Stainless steel - see Product System 7-107

Material:

- **U-part:** Steel, Zinc Plated
- **Z-part and frame leaf:** Steel, Untreated
- **Pin:** Steel, Zinc Plated



	Part No.	See Page
Concealed Hinge	222-9001	
Stainless steel version		04.110
a) Clip-on profile	209-0122	05.08