

# 7-251 Concealed Hinge Pr02 110°

Nested door, Stainless Steel, Lift-off

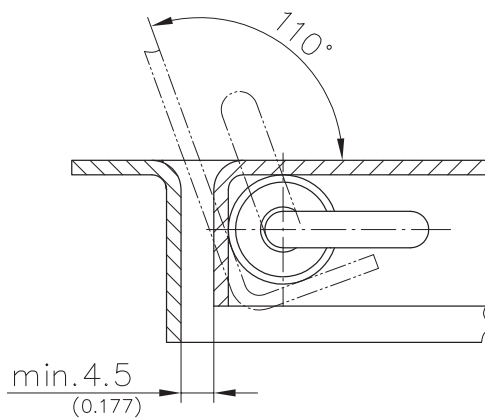
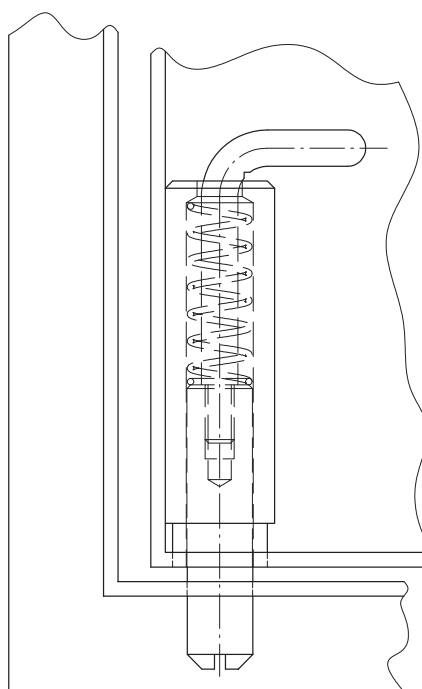
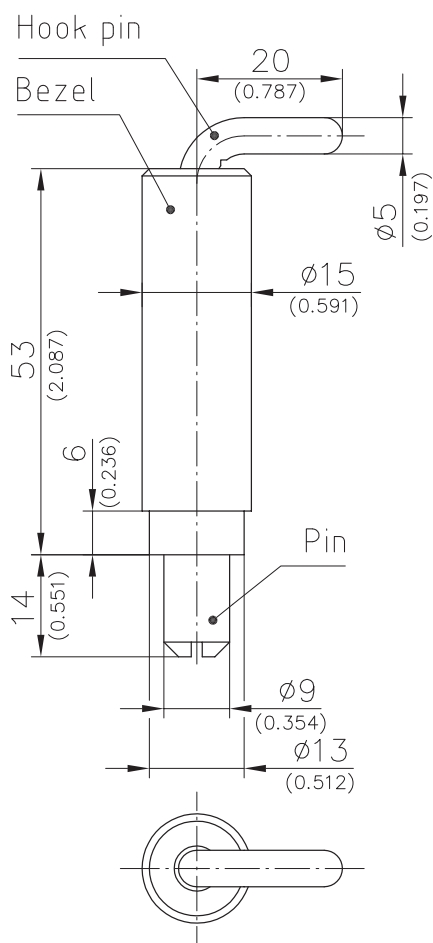


## Product Notes:

- Door is removed by pulling spring loaded pin
- RH and LH applications
- Barrel should be welded first.  
After painting, the slotted pivot pin, hook pin and spring are assembled
- 110° opening angle
- Zinc die - see Product System 4-390

## Material:

- **Bezel, pin, hook pin and spring:**  
Stainless Steel AISI 303



	Part No.	See Page
Concealed Hinge	241-9001.81-00000	04.106
Steel version		