

4-390 Concealed Hinge Pr02 110°

Nested door, Lift-off

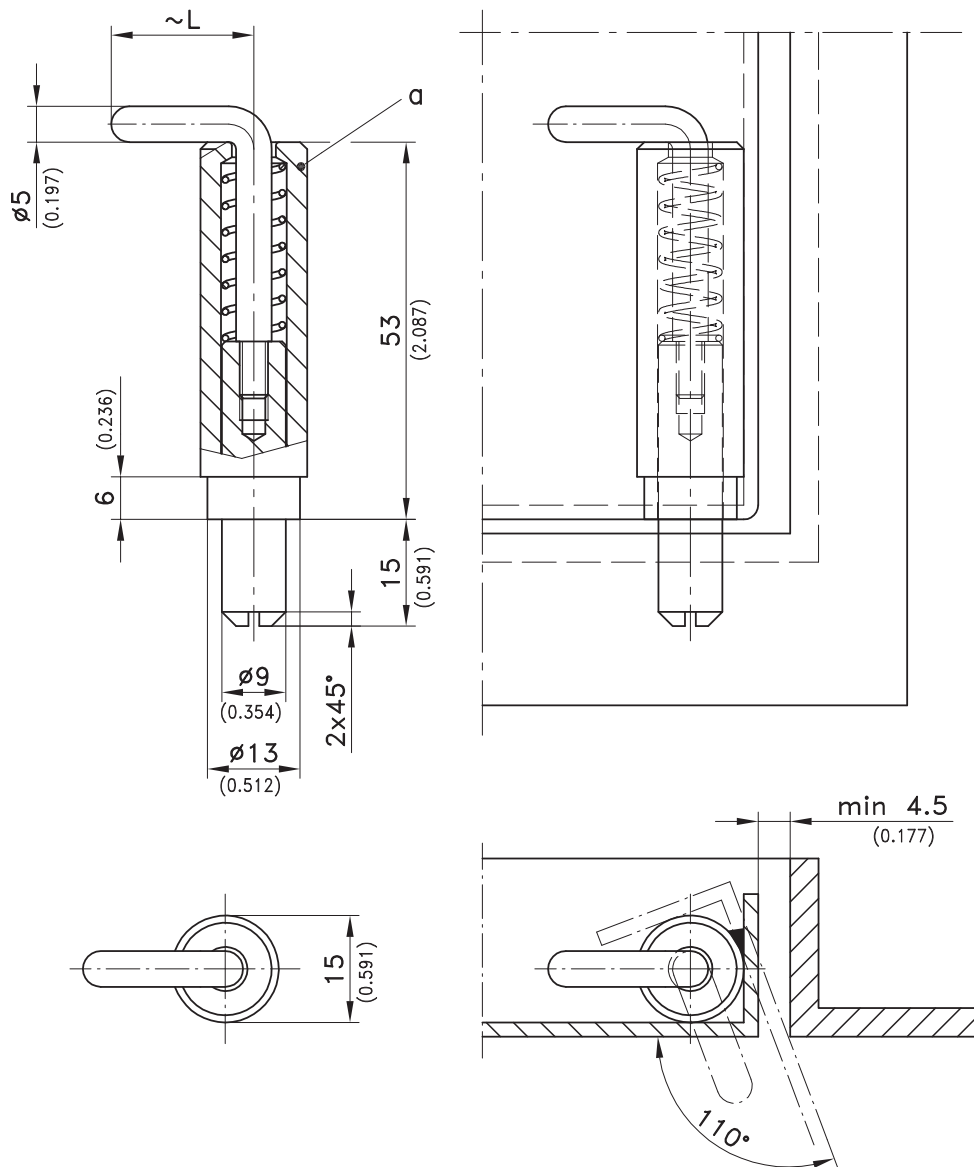


Product Notes:

- Springloaded pin
- RH and LH applications
- Barrel is welded-in
- Assemble slotted pivot pin, hooked pin and spring after painting
- 110° opening angle
- Stainless steel - see Product System 7-251

Material:

- **Bezel:** Steel, Untreated
- **Pin with slot:** Steel, Zinc Plated
- **Hook pin:** Steel, Zinc Plated
- **Spring:** Spring Steel, Galvanized



	Part No.	See Page
a) Concealed Hinge L=20	241-9001	
a1) Concealed Hinge L=35	241-9002	
Stainless steel version		04.107