

7-250 Concealed Hinge Pr02 120°

Nested door, Stainless Steel, Spring loaded pin

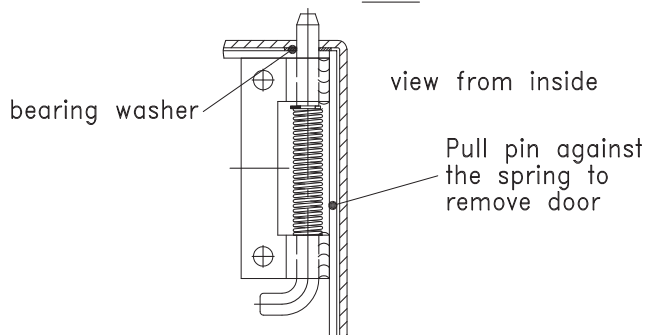
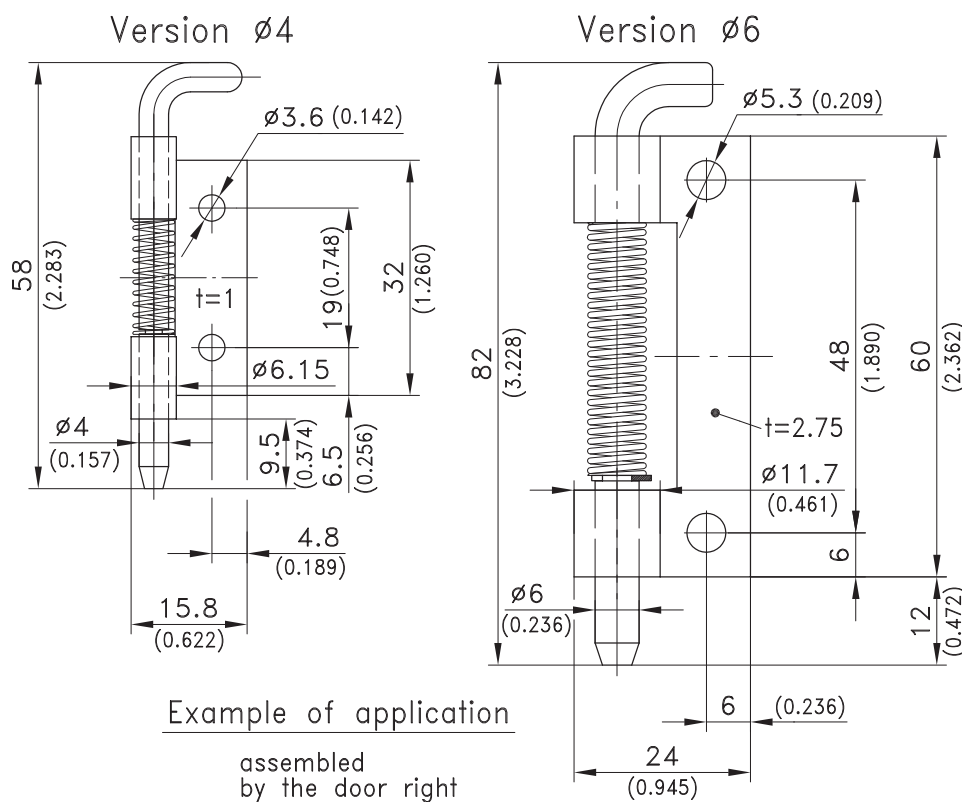


Product Notes:

- Spring loaded pin
- Fasten to panel with screws or weld-on
- Zinc die - see Product System 4-392

Material:

- Roll, pin and spring: Stainless Steel
AISI 304



	Version Ø4	Version Ø6
Loose parts (not assembled)	-	245-9112
Version RH (as drawn)	245-9003	245-9110
Version LH (mirror inverted)	245-9004	245-9111