

4-393SL Concealed Hinge Pr02 120° SNAP-LINE

Tool-less installation, Nested door, Lift-off



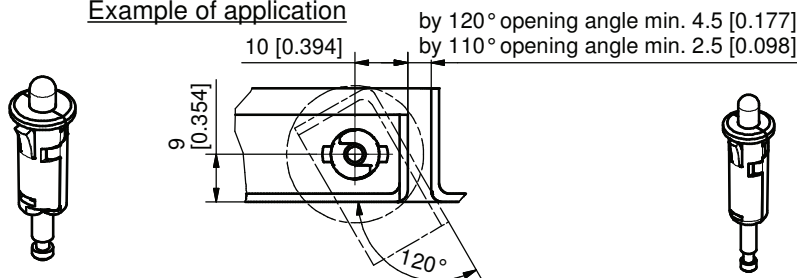
Product Notes:

- Can be used at the top and bottom of the door
- Space saving design
- Door cutout and frame cutout differ in size
- The spring loaded pin allows for an easy and quick installation and removal of the door

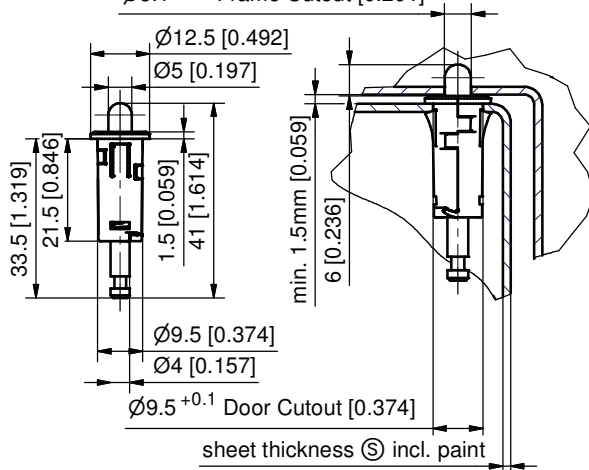
Material:

- **Housing:** PA, Black
- **Pin:** Steel, Zinc Plated
- **Spring:** Stainless Steel

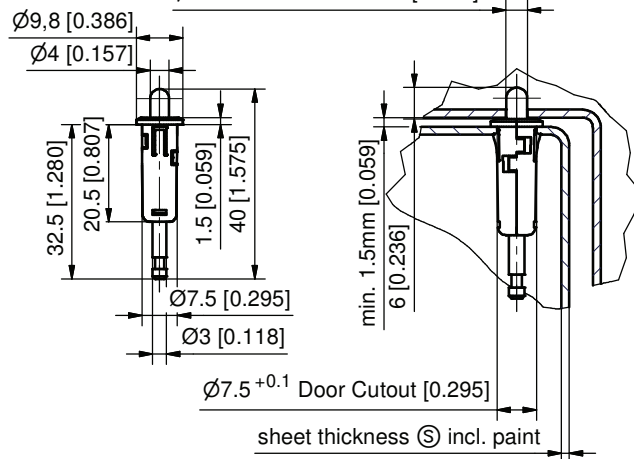
Example of application



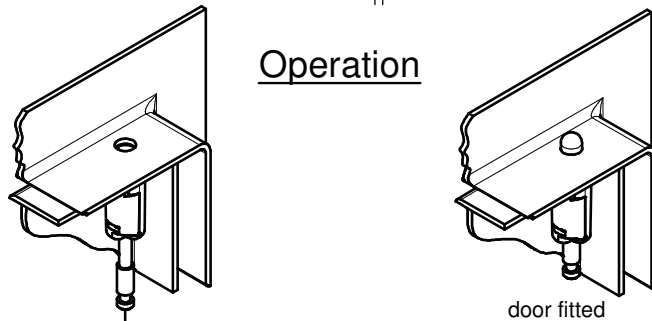
a) for sheet thickness 1.4-1.6mm [0.055-0.063inch]
 $\varnothing 5.1^{+0.1}$ Frame Cutout [0.201]



b) for sheet thickness 1.0-1.2mm [0.039-0.047inch]
 $\varnothing 4.1^{+0.1}$ Frame Cutout [0.161]



Operation



pull the spring-loaded pin for installation and removal of the door

	(S)	Part No.
a) Concealed Hinge	1.4 - 1.6 mm	245-9303
b) Concealed Hinge	1.0 - 1.2 mm	245-9301