

# 7-260 Hinge Pr01 270°

Nested door, Stainless Steel, Three versions - one lift-off

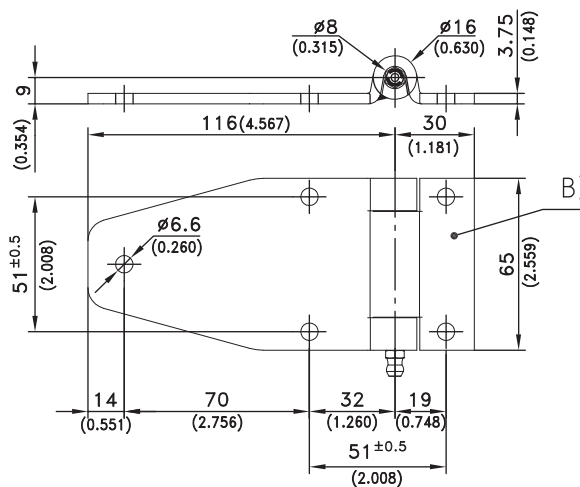
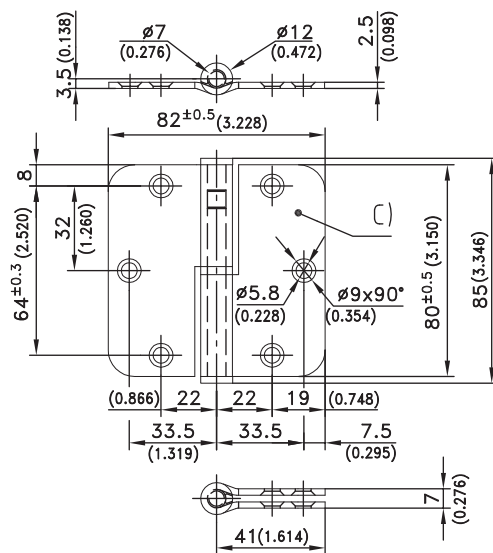
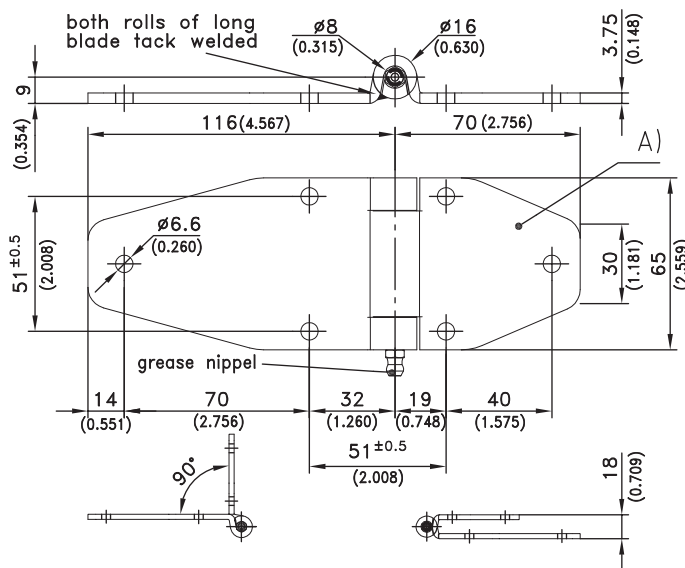


## Product Notes:

- Fasten to panel with screws
- 270° opening angle
- One version is a lift-off
- Zinc die - see Product System 4-278

## Material:

- **Hinge parts:** Stainless Steel  
AISI 304, Matt Polished
- **Hinge:** Stainless Steel, Satin Polished



	Part No.
A) Hinge	267-9005
B) Hinge as A but with shortened hinge half	267-9007
C) Hinge, RH (as drawn)	267-9303
Hinge LH (mirror view)	267-9304