

4-278 Hinge Pr01 270°

Nested door

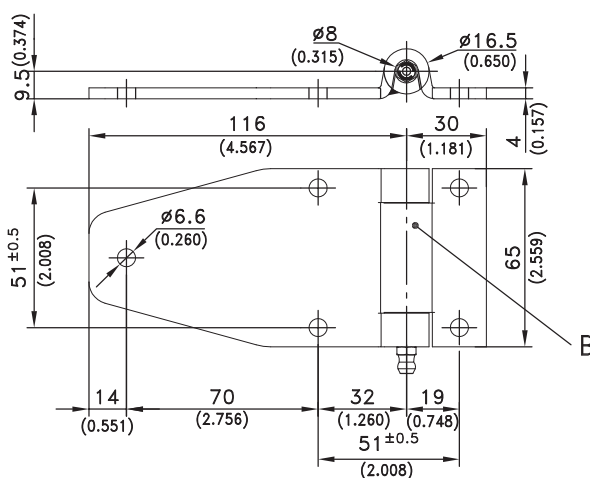
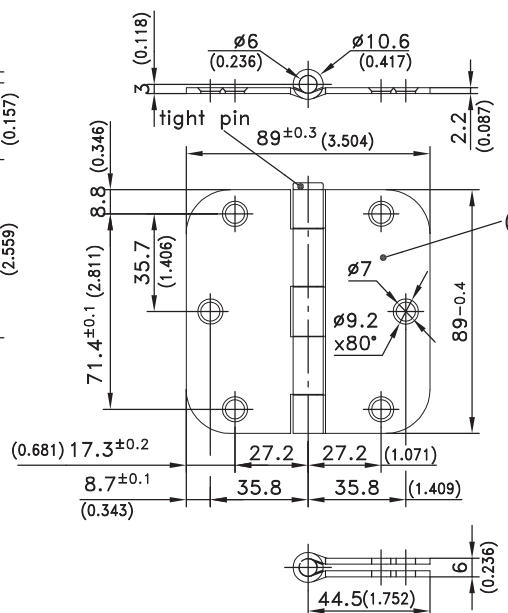
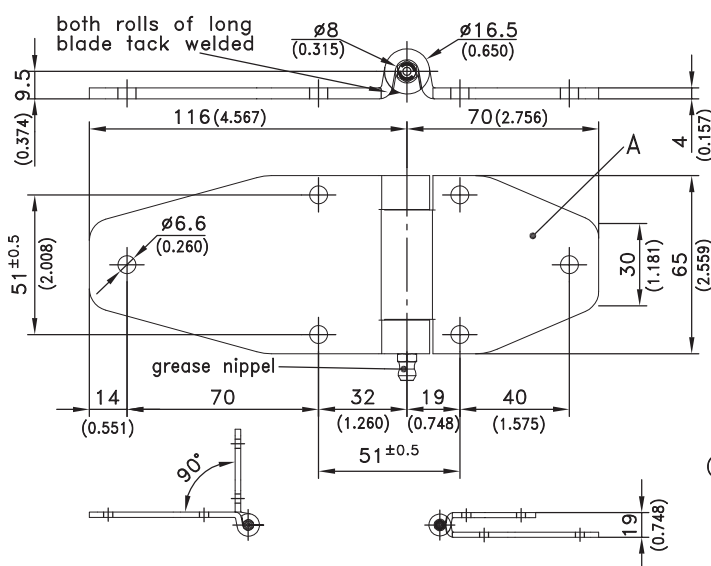
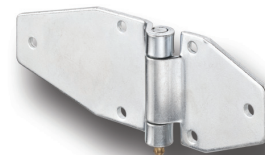


Product Notes:

- Fasten to panel with screws
- 270° opening angle
- Stainless steel - see Product System 7-260

Material:

- Versions A and B**
- **Leaves:** Steel, Zinc Plated or Black Coated
- Version C**
- **Hinge:** Steel, Chrome Plated or Dull Brass Plated



	Part No.
A) Hinge, Steel, Zinc Plated	267-9003
A1) Hinge, Steel, Black Coated	267-9006
B) Hinge, as A but with shortened shank	267-9004
C) Hinge, steel, Chrome Plated	267-9701
C1) Hinge, steel, dull brass plated	267-9702