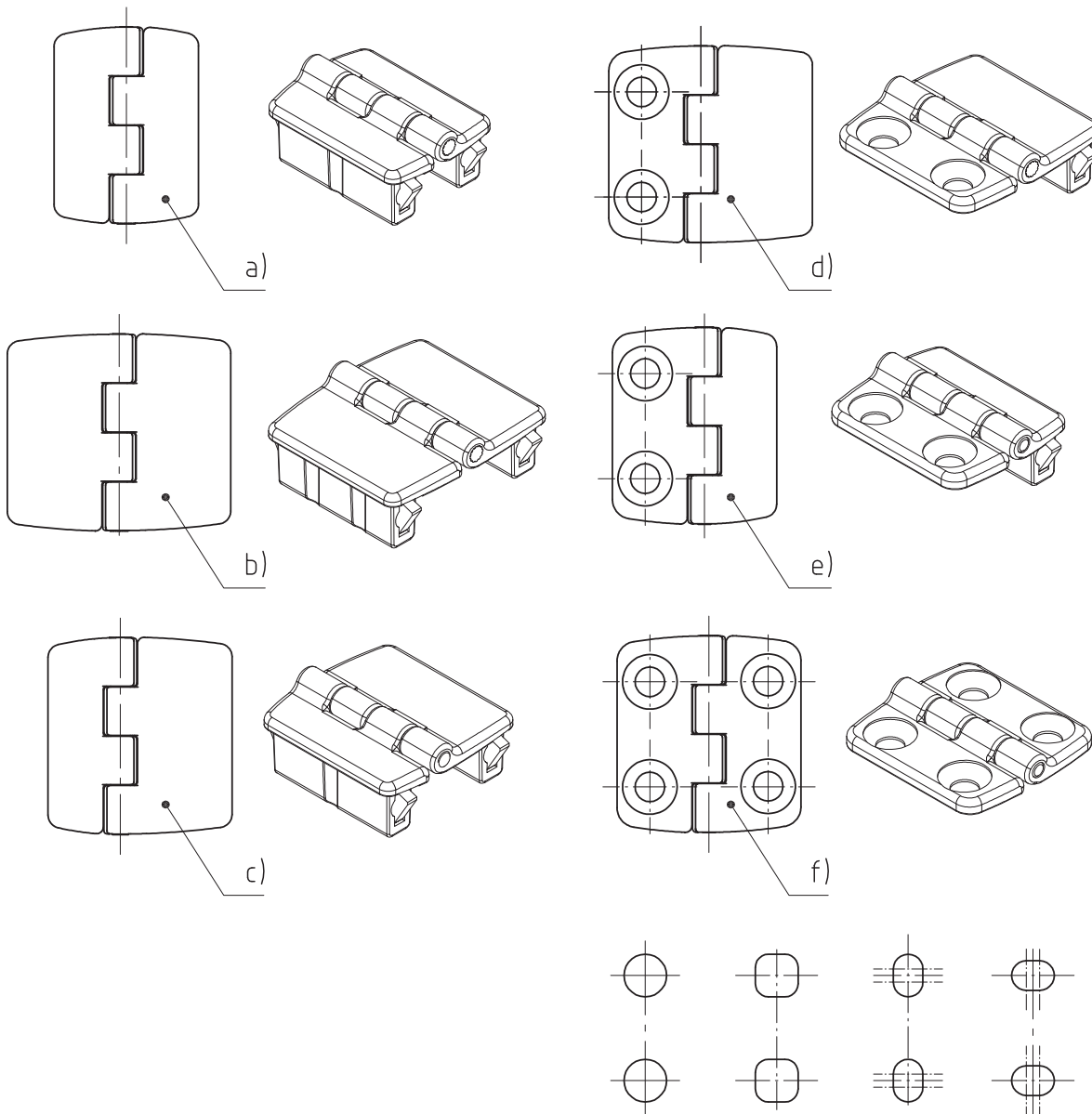


4-249SL Series Hinge Combinations SNAP-LINE 180°



Six different combinations are available.

Different Cutouts for adjustment at height and width

	See Page
a) 4-249.01SL Tool-less installation, Nested door, 22mm x 30mm	04.49
b) 4-249.02SL Tool-less installation, Nested door, 34mm x 30mm	04.50
c) 4-249.03SL Tool-less installation, Nested door, One leaf longer, 28mm x 30mm	04.51
d) 4-249.04SL One leaf tool-less installation, Nested door, 31mm x 30mm	04.52
e) 4-249.05SL One leaf tool-less installation, Nested door, Countersunk holes, 25mm x 30mm	04.53
f) 4-249 Nested door, 28mm x 30mm	04.48

4-249.05SL Hinge Pr01 SNAP-LINE 180°

One leaf tool-less installation, Nested door, Countersunk holes

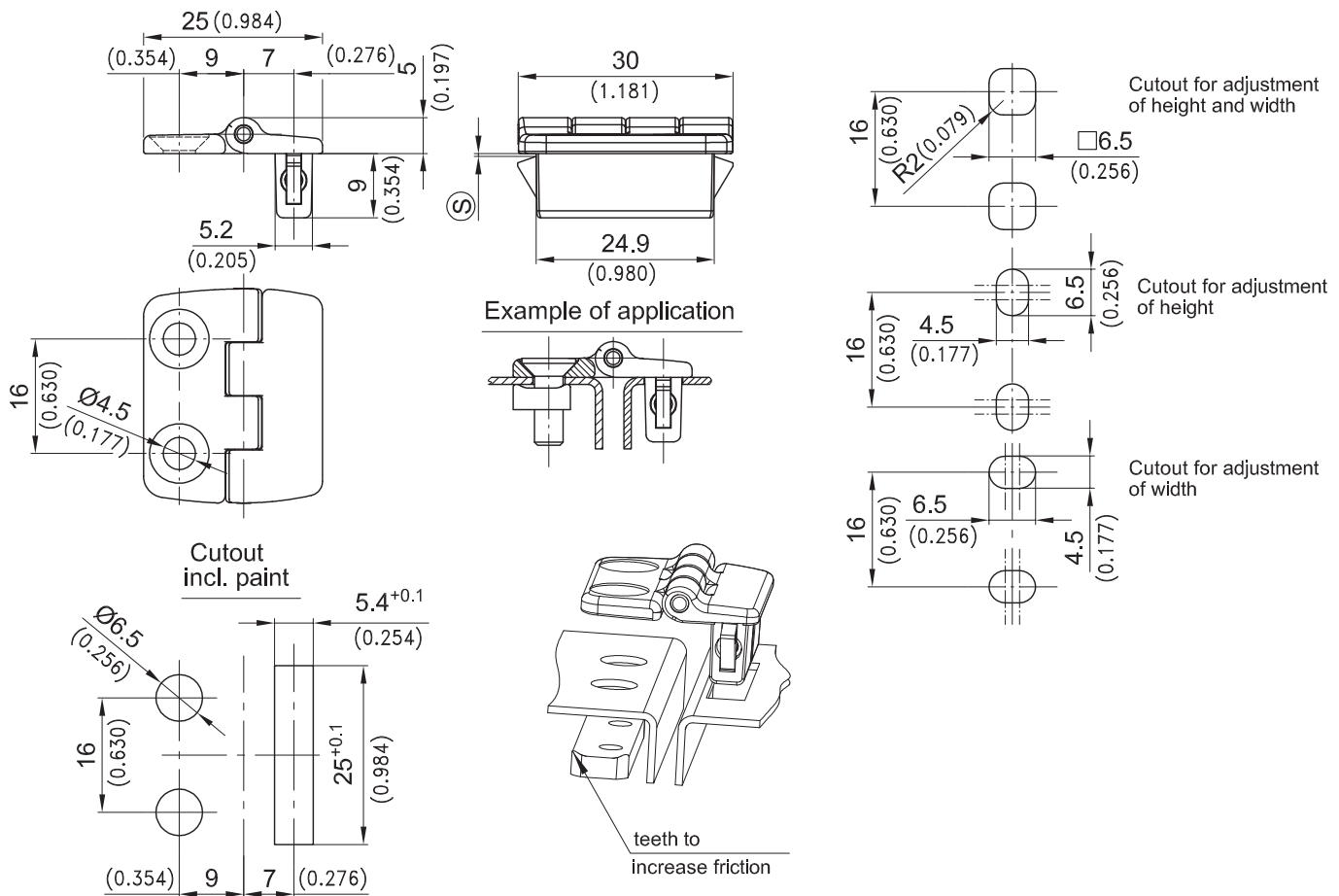


Product Notes:

- 180° opening angle
- One leaf installed by a simple push into the cutout.
- Fasten other leaf to panel with screws
- Countersunk screws according DIN 7991 or DIN EN ISO 10642 can be used
- Bore holes allow for adjustments
- Nut plate can be attached to allow adjustment from the front with hinge installed
- Countersunk screws are not included
- Different installation method for leaves - see Product System 4-249 to 4-249.05SL

Material:

- **Leaves:** Zinc Die, Matt Chrome Plated or Matt Black
- **Pin:** Stainless Steel
- **Wings:** Sintered Steel, Zinc Plated
- **Nut plate:** Steel, Zinc Plated



	Clamping Range [Ⓢ]	Zinc Die Matt Black	Zinc Die Matt Chrome Plated	See Page
180° Hinge	0.6 - 0.9	418-9305.33-00008	418-9305.40-00008	
	0.8 - 1.1	418-9305.33-00010	418-9305.40-00010	
	1.2 - 1.5	418-9305.33-00014	418-9305.40-00014	
	1.8 - 2.1	418-9305.33-00020	418-9305.40-00020	
	2.2 - 2.5	418-9305.33-00024	418-9305.40-00024	
Order nut plate separately		218-0907.15-00000	218-0907.15-00000	
Other [Ⓢ] dimensions on request				
Tool for uninstallation		292-0306.80-02530	292-0306.80-02530	10.17