

# 4-125SL Concealed Hinge Pr03 SNAP-LINE 130°

Frame leaf tool-less installation, Surface mounted door, IP65, Lift-off,  
Door bending 25mm



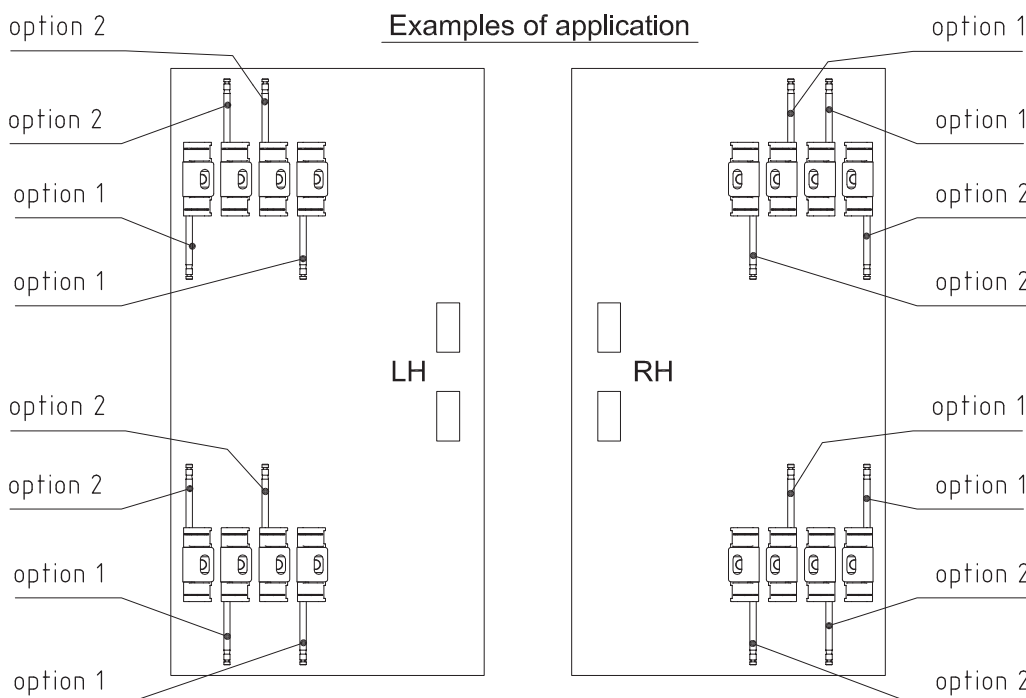
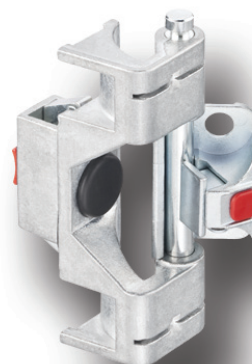
## Product Notes:

- RH and LH application
- By pulling the pin the door leaf is released for door removal
- Door leaf is fastened to panel with screws. After attachment, push the door onto the pin of the frame leaf.
- Pin is captive in frame leaf
- Options allow for a pin to be pre-assembled in top or bottom
- Frame leaf installed by a simple push into the cutout. Front release: screwdriver. Rear release: SNAP-LINE uninstallation tool.
- Water and dust tight according to IP65, DIN EN 60529 with O-rings

- Other zinc die - see Product System 4-124, 4-124SL, and 4-125
- Screw-on - see Product System 4-124, 4-125, 7-165 and 7-166
- Stainless steel - see Product System 7-164SL, 7-165 and 7-166

## Material:

- **Frame leaf:** Zinc Die, Untreated
- **Door leaf and slider:** Zinc Die, Zinc Plated
- **Pin:** Steel, Zinc Plated
- **Wings:** Sintered Metal, Plated
- **O-Ring:** NBR

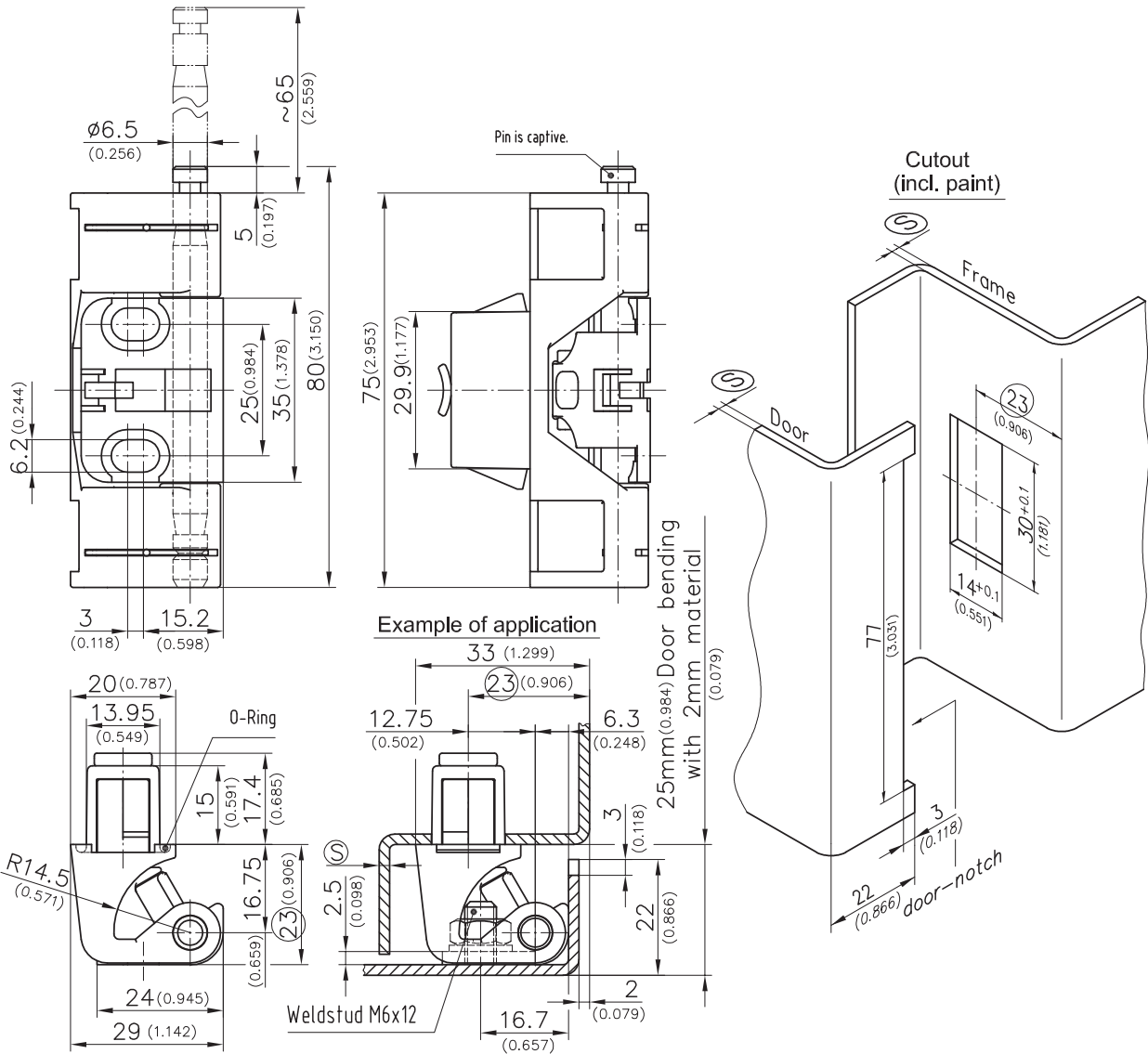


Depending on the shown options, the captive pin is pre-assembled from the top or upside-down. The chart below shows the options for LH and RH doors.

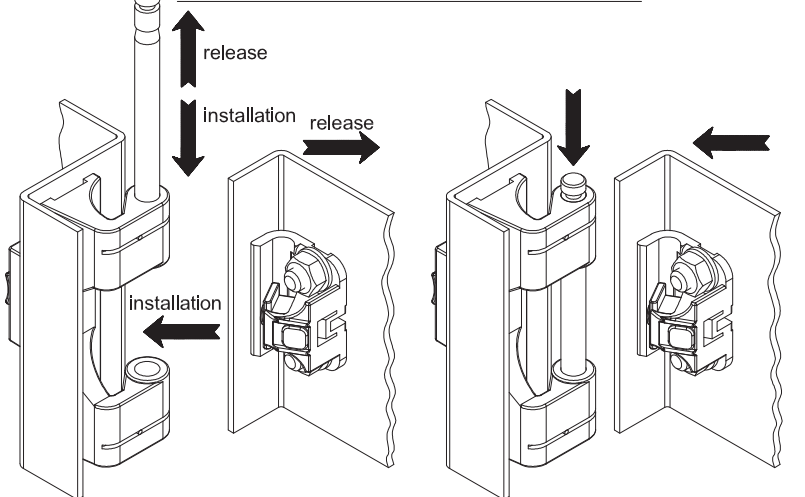
	Clamping Range <sup>③</sup>	Option 1 LH, Bottom Pin RH, Top Pin	Option 2 LH, Top Pin RH, Bottom Pin	See Page
<b>Concealed Hinge</b>	1.2 - 1.7	443-9101.00-20015	443-9101.00-10015	
	1.7 - 2.2	443-9101.00-20020	443-9101.00-10020	
	2.2 - 2.7	443-9101.00-20025	443-9101.00-10025	
	2.7 - 3.2	443-9101.00-20030	443-9101.00-10030	
	3.0 - 3.5	443-9101.00-20033	443-9101.00-10033	
<b>Cover for cutout 30x14mm</b>		292-0402.00-03014	292-0402.00-03014	10.14
<b>Reinforcement plate for cutout 30x14 and 30x15mm</b>		292-0701.15-01530	292-0701.15-01530	10.16
<b>Tool for uninstallation</b>		292-0306.80-02530	292-0306.80-02530	10.17
<b>Tool for uninstallation</b>		292-0301.15-00000	292-0301.15-00000	10.17

# 4-125SL Concealed Hinge Pr03 SNAP-LINE 130°

Frame leaf tool-less installation, Surface mounted door, IP65, Lift-off, Door bending 25mm



## installation or release of the door



## release of the hinge

