

6-1380 Hinged Recessed Handle

Hand operable with or without key, Flush mount, Rear installation

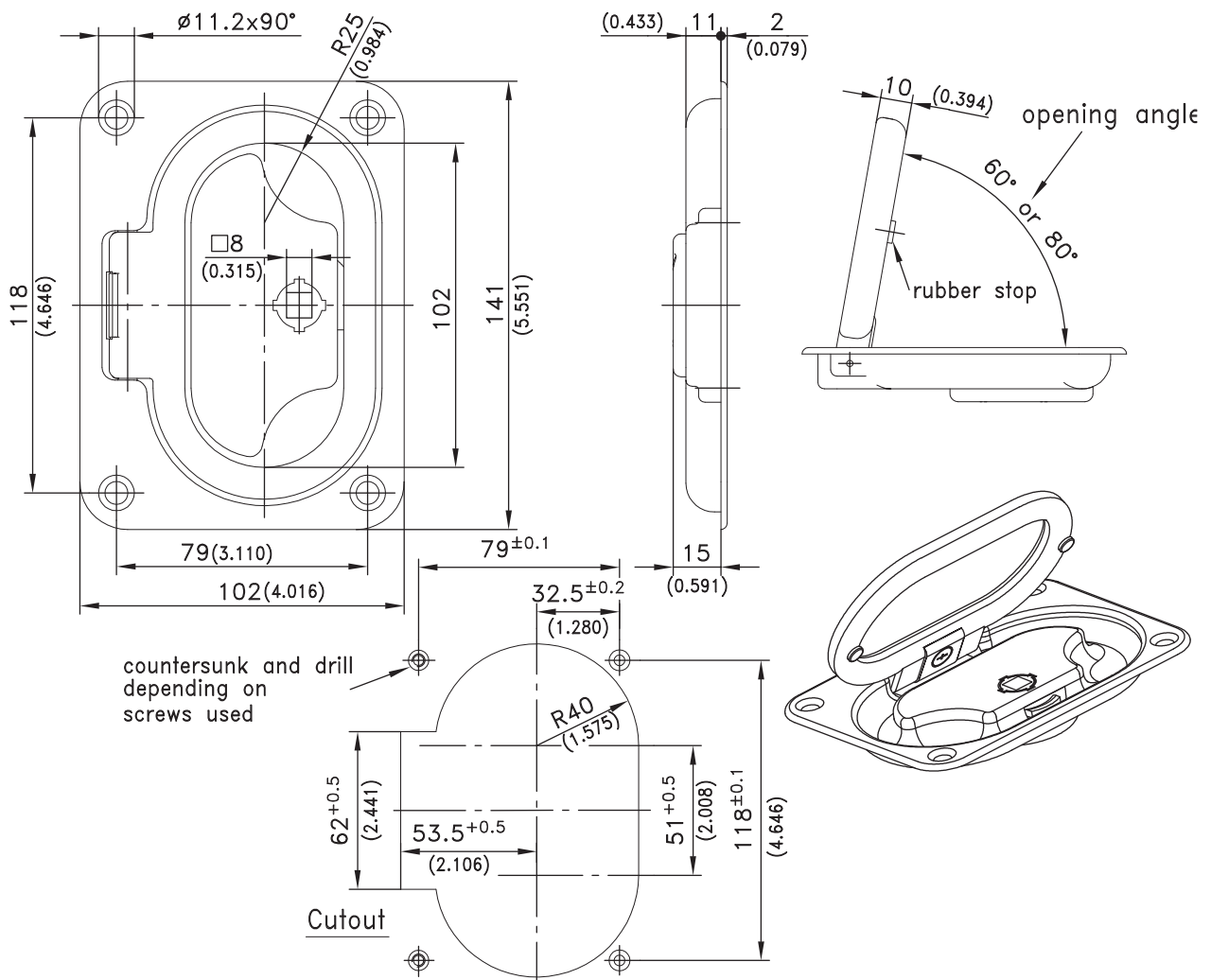


Product Notes:

- Flush design with recessed handle
- Handle opening angles of 60° or 80°
- Vertical and horizontal application
- Integrated Quarter-Turn, operated with a fastener key
- Closed housing surface prevents accumulation of dirt and debris

Material:

- **Handle:** Zinc Die, Chrome Plated or Black



Hinged recessed handle, chrome plated	Opening Angle 60°	Opening Angle 80°	See Page
With lock	213-9101.00-00060	213-9101.00-00080	
Without lock	213-9001.00-00060	213-9001.00-00080	
Hinged recessed handle, black coated			
With lock	213-9102.00-00060	213-9102.00-00080	
Without lock	213-9002.00-00060	213-9002.00-00080	
Key, zinc die			10.18