

6-1411SL Dish Handle SNAP-LINE

Tool-less installation, Flush mount, Front installation

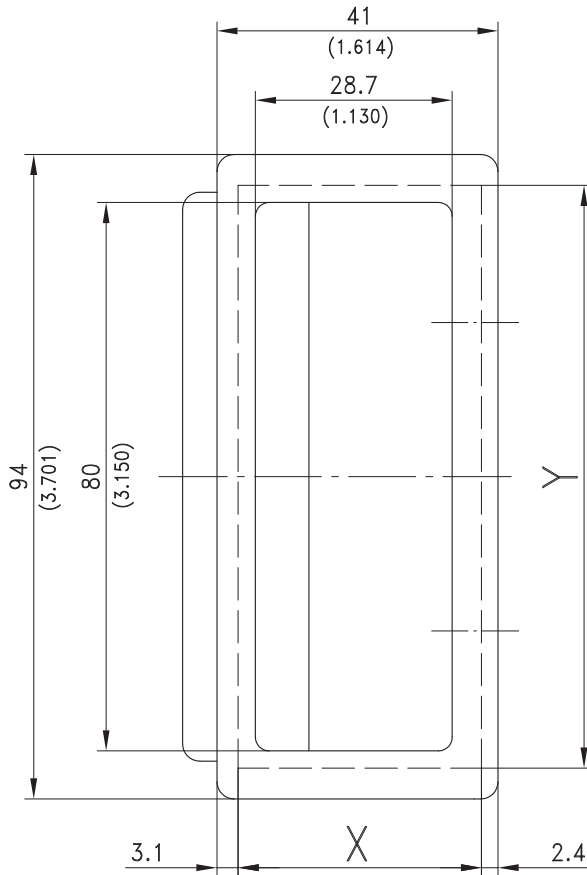
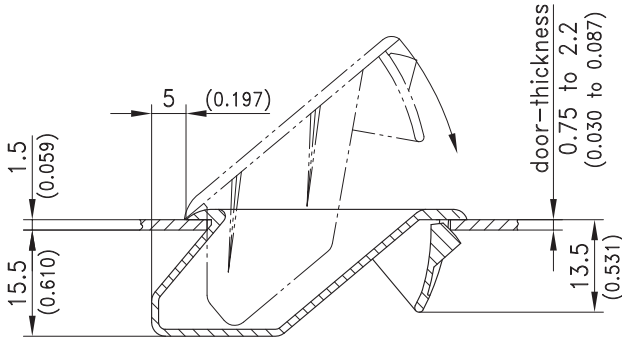


Product Notes:

- Panel thickness 0.75 to 2.2mm (0.030 to 0.087)
- Cutout dimensions for different panel thicknesses - see table below

Material:

- PA, Black



Handle dish small

Part No.

213-0703.03-00000

Panel Thickness - mm

Cutout Dimensions - mm

0.75 - 0.79

X
34.8+0.2

Y
85.0+0.2

0.8 - 1.4

35.0+0.2

85.0+0.2

1.5 - 2.2

36.0+0.2

85.0+0.2