

# 6-1410SL Dish Handle SNAP-LINE

Tool-less installation, Flush mount, Front installation

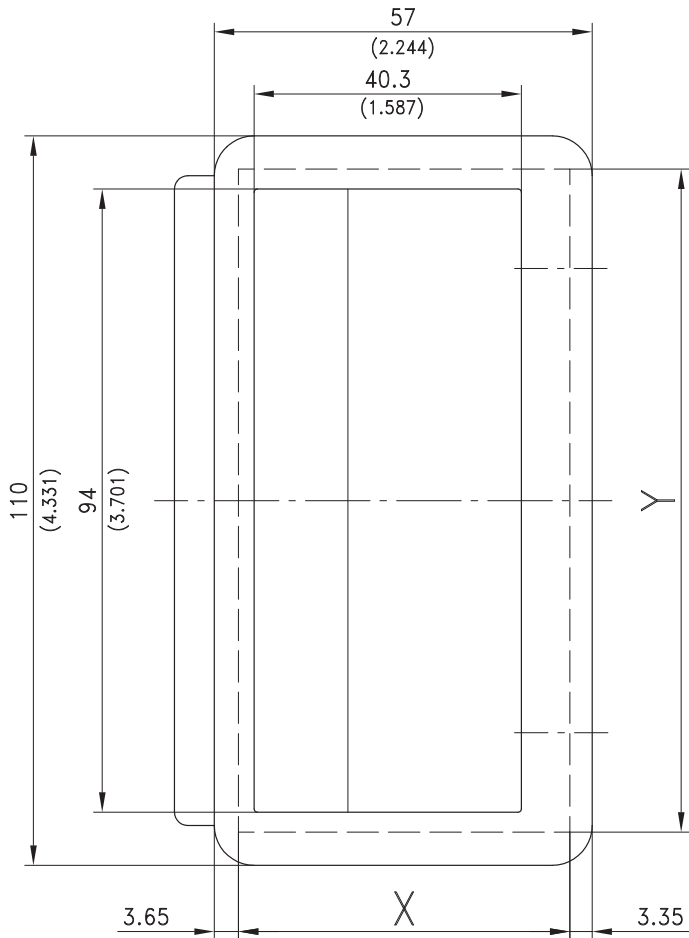
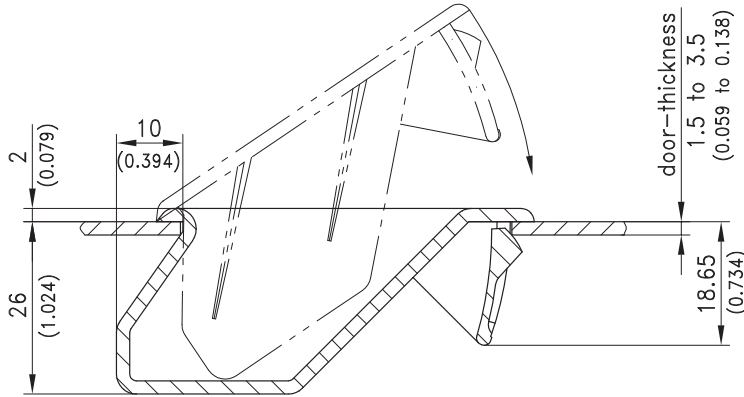


**Product Notes:**

- Panel thickness 1.5mm- 3.5mm (0.059 - 0.138)
- Cutout dimensions for different panel thicknesses - see table below

**Material:**

- PA, Black



<b>Dish Handle</b>		<b>Part No.</b>	
		<b>213-0705.51</b>	
<b>Panel Thickness - mm</b>		<b>Cutout Dimensions - mm</b>	
		<b>X</b>	<b>Y</b>
1.5-2.0		49.6+0.2	100-0.5
2.0-3.2		50.3+0.3	100-0.5
3.2-3.5		51+0.3	100-0.5