

6-1500.01SL Grip Handle 25x5.4 SNAP-LINE

Tool-less installation, Surface mount, Front installation

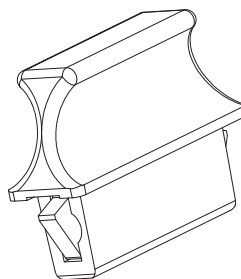
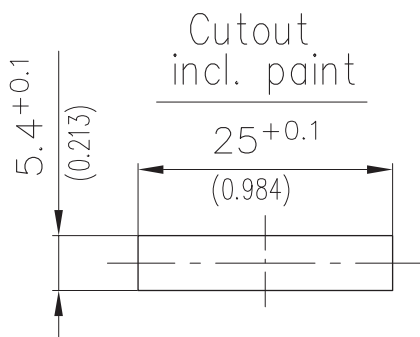
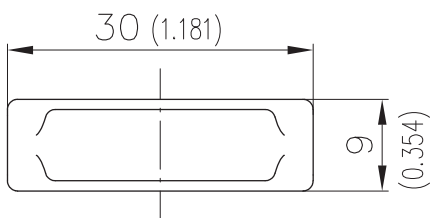
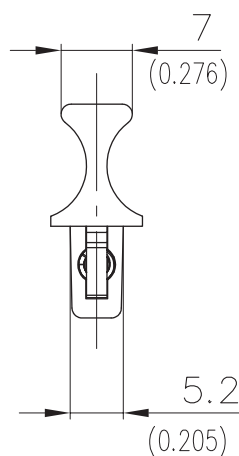
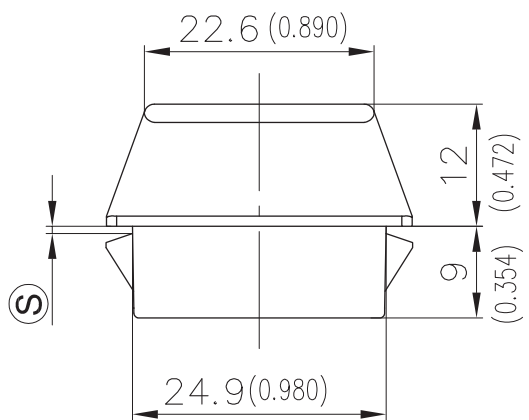
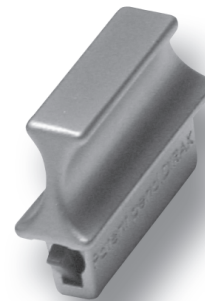


Product Notes:

- Space saving design
- Vertical and horizontal application
- Installed by a simple push into the cutout

Material:

- **Handle:** Zinc Die, Matt Chrome Plated
- **Other surfaces on request**
- **Wings:** Sintered Steel



	Clamping Range [Ⓢ]	Part No.	See Page
Grip handle	0.6 - 0.9	413-9201.00-00609	
	0.8 - 1.1	413-9201.00-00811	
	1.2 - 1.5	413-9201.00-01215	
	1.8 - 2.1	413-9201.00-01821	
	2.2 - 2.5	413-9201.00-02225	
Other [Ⓢ] dimensions on request			
Tool for uninstallation		292-0306.80-02530	10.17