

6-1500.02SL Grip Handle 9.5x8.5 SNAP-LINE

Tool-less installation, Surface mount, Front installation

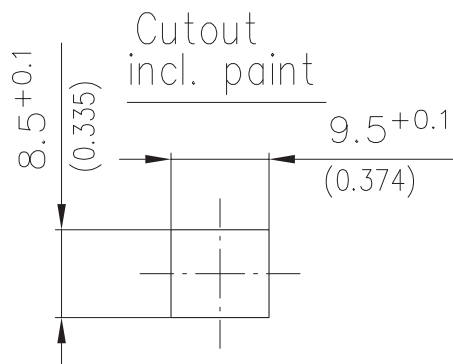
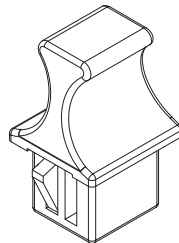
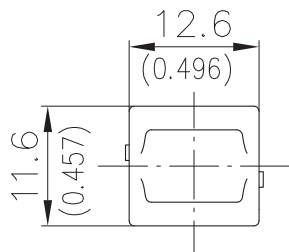
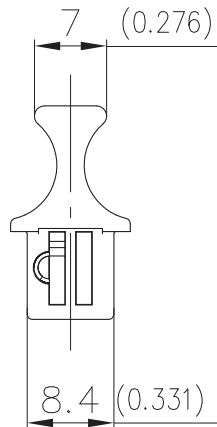
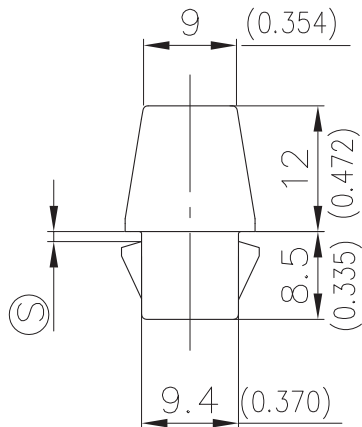


Product Notes:

- Space saving design
- Vertical and horizontal application
- Installed by a simple push into the cutout

Material:

- **Handle:** Zinc Die, Matt Chrome Plated or Black
- **Wings:** Sintered Steel



	Clamping Range [Ⓢ]	Zinc Die, Matt Chrome Plated	Zinc Die, Black
Grip handle	0.8 - 1.0	413-9202.00-00810	413-9203.00-00810
	1.1 - 1.3	413-9202.00-01113	413-9203.00-01113
	1.2 - 1.5	413-9202.00-01215	413-9203.00-01215
	2.0 - 2.2	413-9202.00-02022	413-9203.00-02022

Other [Ⓢ] dimensions on request