

6-1600.02 Handle

Bridge handle, Surface mount, Rear installation

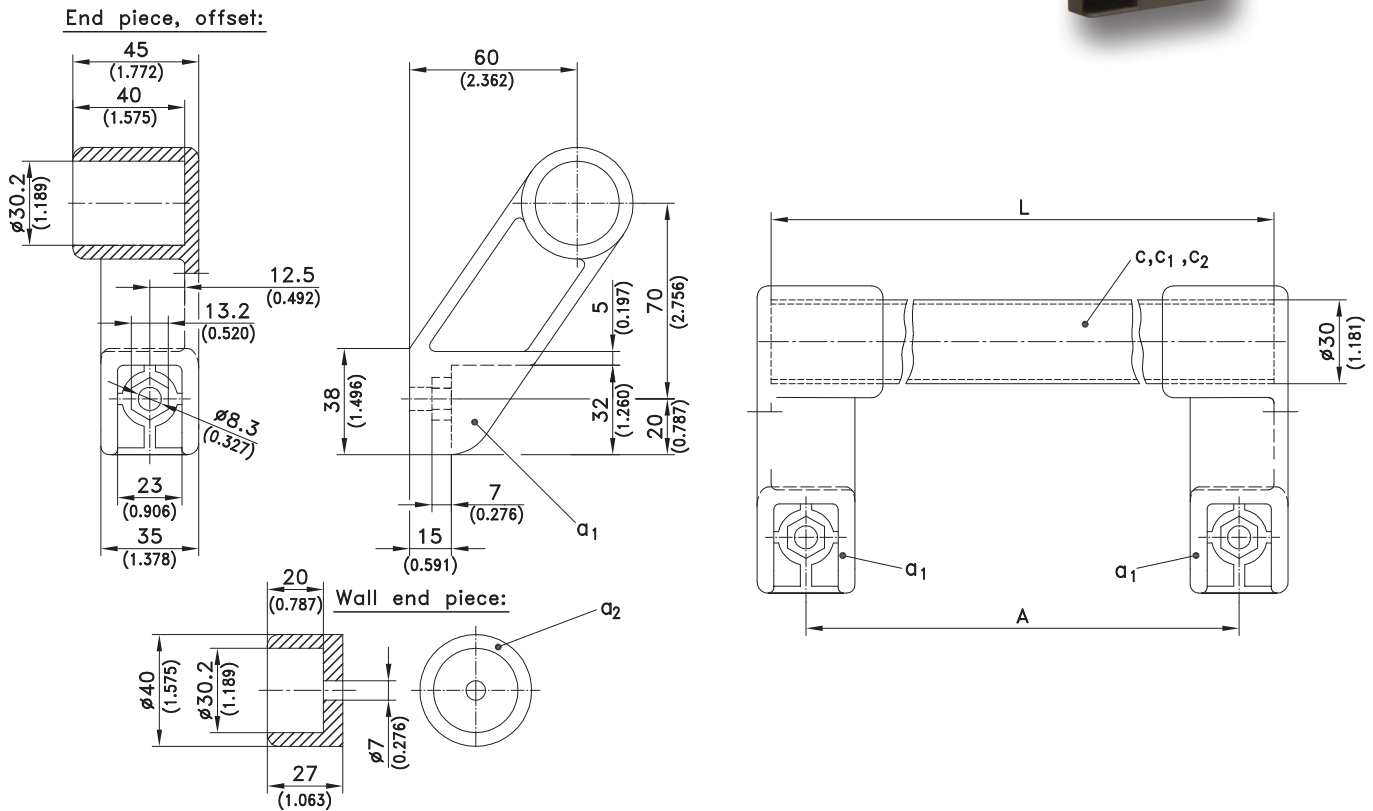


Product Notes:

- Angled handle supports
- Vertical and horizontal application
- Firm and stable grip
- Total length is 10mm greater than tube length
- Accommodates large and heavy doors
- Fasten to walls with end piece "a2"
- Fasten to panel with hex socket head cap screws, hex screws or countersunk screws

Material:

- **End piece:** PA, Black
- **Center support:** PA, Black
- **Tube:** Steel, PVC Coated, Black
- **Stainless Steel on request**



Version	Part No.		
a1) End piece, offset, RH (as drawn)	213-0103.03-00000		
LH	213-0104.03-00000		
a2) Wall End piece	213-0107.03-00000		
b) Center support	213-0102.03-00000		
From Product System 6-1600.01 (page 08.33) usable			
c) Steel tube Ø30 x 1.5mm	L - mm / inch	A - mm/inch	
	266 / 10.472	241 / 9.488	213-0401
	366 / 14.409	341 / 13.425	213-0402
	466 / 18.346	441 / 17.362	213-0403
	566 / 22.283	541 / 21.299	213-0404
	666 / 26.220	641 / 25.236	213-0405
	766 / 30.157	741 / 29.173	213-0406
c2) Steel tube, for Handle Ø30x1.5mm, length 2500mm / 98.425			213-0407
c1) Steel tube, Ø30x1.5mm, in special length			213-0408.00-L in mm