

6-1600SL Handle SNAP-LINE

Tool-less installation, Bridge handle, Surface mount, Front installation

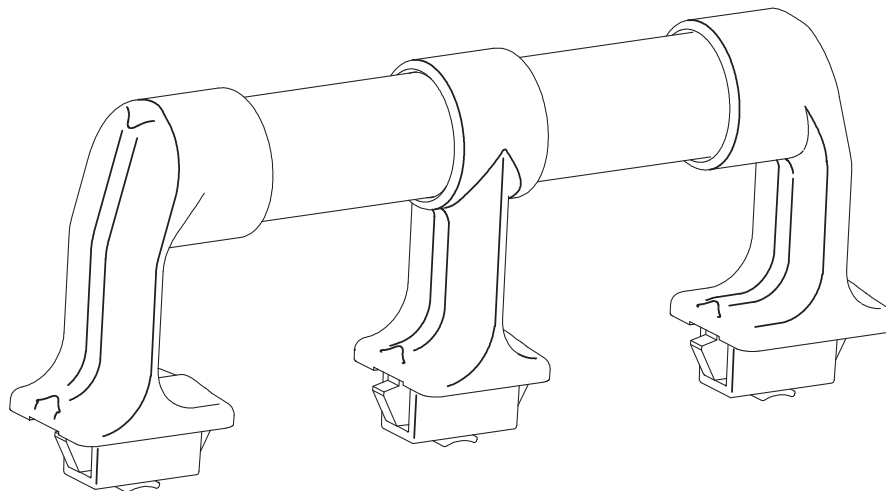
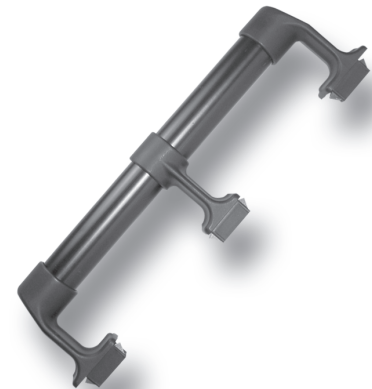


Product Notes:

- Vertical and horizontal application
- Prevents accumulation of dirt and debris
- Inside radius - minimum 5mm
- Firm and stable grip
- Total length is 51mm greater than tube length
- Optional center supports for large and heavy doors. Center support should be used for tube lengths over 466mm
- Installed by a simple push into the cutout
- Screw-on - see Product System 6-1600.01

Material:

- **End piece:** PA, Black
- **Center support:** PA, Black
- **Tube:** Steel, PVC Coated, Black
- **Wings:** Sintered Steel



	Clamping Range [Ⓢ]	Part No.	See Page
a) End piece	1.2 - 1.7	413-9101.00-00015	
	1.7 - 2.2	413-9101.00-00020	
	2.2 - 2.7	413-9101.00-00025	
	2.7 - 3.2	413-9101.00-00030	
b) Center support	1.2 - 1.7	413-9102.00-00015	
	1.7 - 2.2	413-9102.00-00020	
	2.2 - 2.7	413-9102.00-00025	
	2.7 - 3.2	413-9102.00-00030	
c) Steel tube Ø30 x 1.5mm	L (tube length) mm/inch		
	266 / 10.472	213-0401	
	366 / 14.409	213-0402	
	466 / 18.346	213-0403	
	566 / 22.283	213-0404	
	666 / 26.220	213-0405	
	766 / 30.157	213-0406	
A=Distance between the center of the cutouts of the endpieces: A=L			
c1) Steel tube, for Handle Ø30x1.5mm, length 2500mm / 98.425		213-0407	
c2) Steel tube, Ø30x1.5mm, in special length		213-0408.00-L in mm	
Reinforcement plate for cutout 30x14 and 30x15mm		292-0701.15-01530	10.16
Tool for uninstallation		292-0306.80-02530	10.17
Tool for uninstallation		292-0301.15-00000	10.17