

# 6-1110SL Quarter-Turn with Handle SNAP-LINE

Tool-less installation, Key or tool operable, Surface mount, Front installation

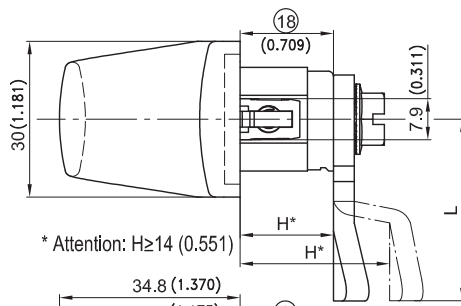


## Product Notes:

- RH and LH application - accomplished by turning key cylinder or insert 90°
- Handle can be equipped with key cylinder or insert
- Installed by a simple push into the cutout
- **NOTE: H-dimension of the cam  $\geq 14\text{mm}$  (0.551)**
- **NOTE: 3-point cam should not be used with key cylinder**
- Bowed handle design

## Material:

- **Handle:** Zinc Die, Matt Chrome Plated
- **Other surfaces on request**
- **Housing:** Zinc Die
- **Wings:** Sintered Steel
- **Grounding clip:** Stainless Steel
- **Cams:** see "c" and "c1"



Please contact DIRAK for the Assembly-partnumber of a completely pre-assembled SNAP-LINE Bowed Handle. Advise following details:

- Door-thickness,
- Application: cam 90° to handle, RH/LH cam in line with handle,
- Cam or 3-point cam H in mm,
- Cylinder or Insert,
- Grounding clip: Y/N

