

# 6-1001SL Bridge Handle SNAP-LINE

Tool-less installation, Surface mount, Front installation

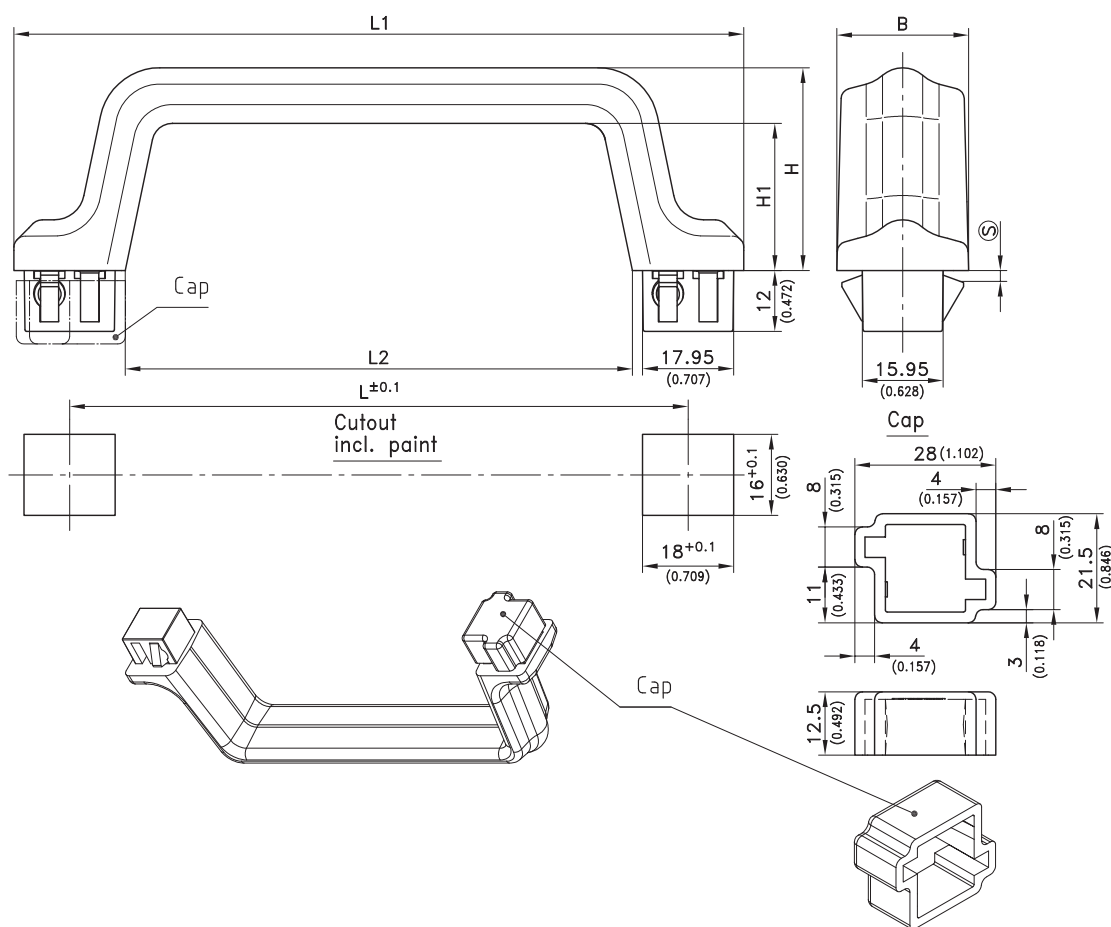


## Product Notes:

- Firm and stable grip
- Easy to clean, closed surface
- Low inside radius of 5mm
- Vertical and horizontal application
- Installed by a simple push into the cutout
- Variable length handle of same design  
- see Product System 6-1600SL.
- Vibration resistant
- Screw-on - see Product System 6-1000 and 6-1031

## Material:

- **Bridge Handle** PA, Black
- **Wings:** Sintered Steel
- **Cap:** PA, Black



	Clamping Range <sup>Ⓢ</sup>	L	L1	L2	B	H	H1	Part No.
Bridge handle 144mm long	0.8 - 1.5	122	144	100	26	40	29	413-9003.00-00015
	1.3 - 2.0	122	144	100	26	40	29	413-9003.00-00020
	2.0 - 2.7	122	144	100	26	40	29	413-9003.00-00027
Bridge handle 172mm long	0.8 - 1.5	150	172	128	28	50	39	413-9004.00-00015
	1.3 - 2.0	150	172	128	28	50	39	413-9004.00-00020
	2.0 - 2.7	150	172	128	28	50	39	413-9004.00-00027
Cap								413-0901.54-00000
Other <sup>Ⓢ</sup> dimensions on request								