

# 6-1031 Bridge Handle

Surface mount, Front installation

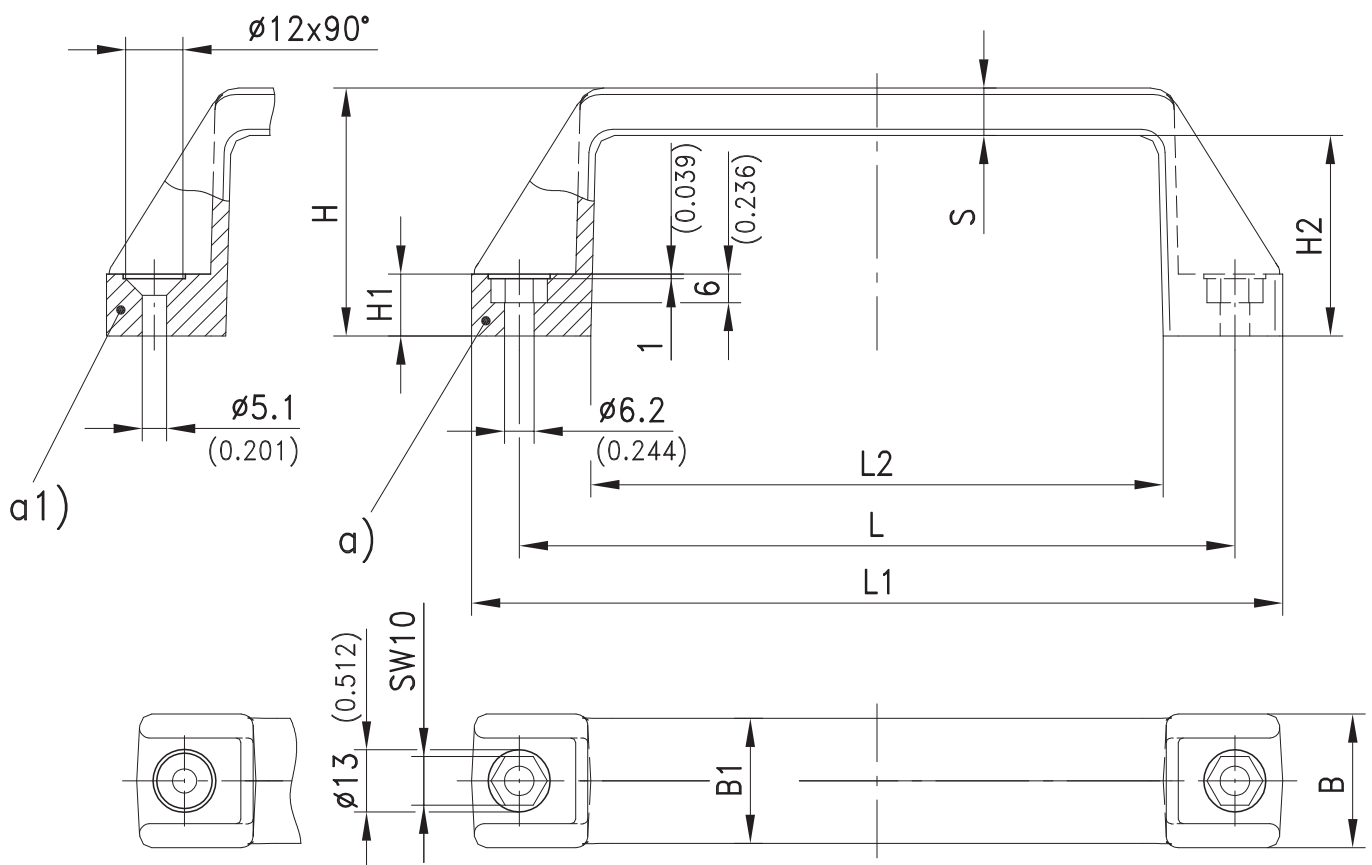


## Product Notes:

- Fasten to panel with screws, hex screws or countersunk screws
- Other screw-on - see Product System 6-1000
- Tool-less installation - see Product System 6-1001SL

## Material:

- PA, Black



Version	L - mm /inch	L1 - mm /inch	L2 - mm /inch	B - mm /inch	B1 - mm /inch	H - mm /inch	H1 - mm /inch	H2 - mm /inch	S - mm /inch	Part No.	See Page
a) Hexagon socket M6	122/ 4.803	142/ 5.591	98/ 3.858	26/ 1.024	24/ 0.945	40/ 1.575	12/ 0.472	32/ 1.260	8/ 0.315	213-0201.03	
a1) Countersunk M5	122/ 4.803	142/ 5.591	98/ 3.858	26/ 1.024	24/ 0.945	40/ 1.575	12/ 0.472	32/ 1.260	8/ 0.315	213-0202.03	
a) Hexagon socket M6	150/ 5.906	170/ 6.693	120/ 4.724	28/ 1.102	26/ 1.024	52/ 2.047	13/ 0.512	42/ 1.654	10/ 0.394	213-0203.03	
a1) Countersunk M5	150/ 5.906	170/ 6.693	120/ 4.724	28/ 1.102	26/ 1.024	52/ 2.047	13/ 0.512	42/ 1.654	10/ 0.394	213-0204.03	

Screws

10.23