

6-1000 Bridge Handle



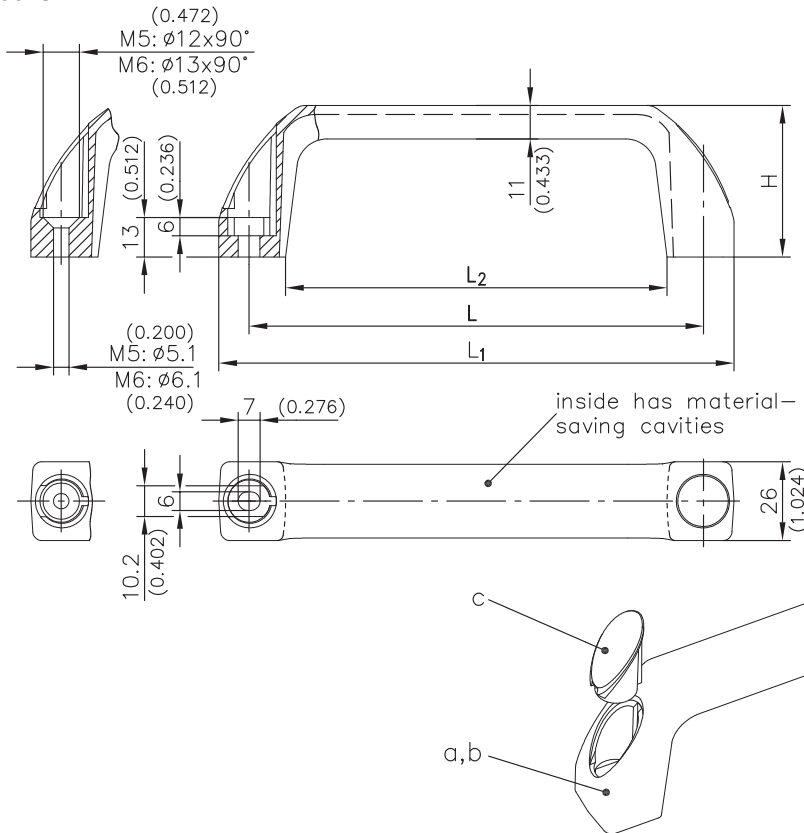
Surface mount, Rear installation, Optional color plugs

Product Notes:

- Available in two sizes
- Fasten to panel with hex socket screws, hex screws or countersunk screws
- Plugs in different colors or with logo on request.
- Other screw-on - see Product System 6-1031
- Tool-less installation - see Product System 6-1001SL

Material:

- PA, Black



a) Polyamide handle complete, with 2 plugs		L	L ₁	L ₂	H	Part No.	See Page
		mm/inch	mm/inch	mm/inch	mm/inch		
a1) hex socket head cap screws / hex screws	M6	150/5.906	170/6.693	126/4.961	50/1.969	213-9201	
a2) Countersunk screws	M5	150	170	126	50	213-9202	
a3) hex socket head cap screws / hex screws	M6	122/4.803	142/5.591	98/3.543	50	213-9203	
a4) Countersunk screws	M5	122	142	98	50	213-9204	
a5) Countersunk screws	M6	122	142	98	50	213-9205	
a6) hex screws	M6	122	142	98	41/1.614	213-9206	
a7) Countersunk screws	M5	122	142	98	41	213-9207	
b) Polyamide handle only (without plugs)							
b1) hex socket head cap screws / hex screws	M6	150	170	126	50	213-0205.03-00000	
b2) Countersunk screws	M5	150	170	126	50	213-0206.03-00000	
b3) hex socket head cap screws / hex screws	M6	122	142	98	50	213-0208.03-00000	
b4) Countersunk screws	M5	122	142	98	50	213-0209.03-00000	
b5) Countersunk screws	M6	122	142	98	50	213-0210.03-00000	
c) Plugs (2 plugs per handle)						213-0207.03-00000	
Screws							10.23