

6-1107 Finger Pull Handle

Surface mount, Rear installation

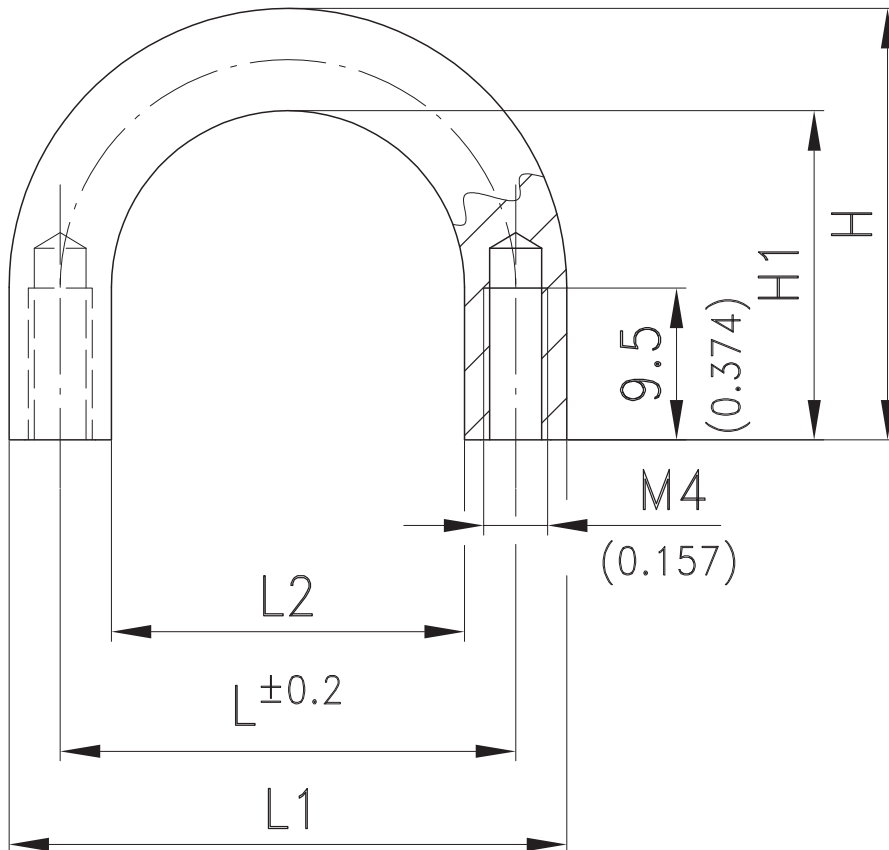
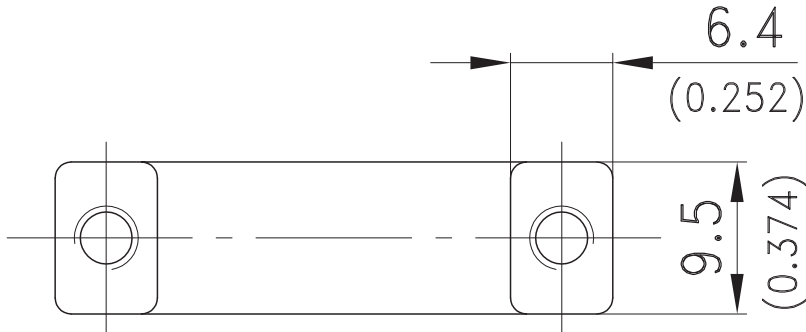
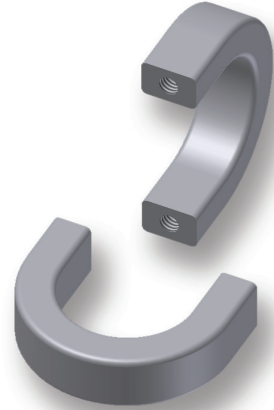


Product Notes:

- Smooth surface
- Solid aluminium handle
- Vertical and horizontal application
- Fasten to panel with M4 screws

Material:

- Aluminium, Anodized Natural (Silver)
- Other surfaces on request**



| Finger Pull Handle | L | L1 | L2 | H | H1 | Aluminium Anodized |
|--------------------|------------|----------|------------|----------|------------|--------------------------|
| mm/inch | 28.5/1.122 | 35/1.378 | 22.2/0.874 | 27/1.063 | 20.5/0.807 | 213-0510.96-00285 |