

# 6-1300SL Finger Pull Handle SNAP-LINE

Tool-less installation, Surface mount, Front installation

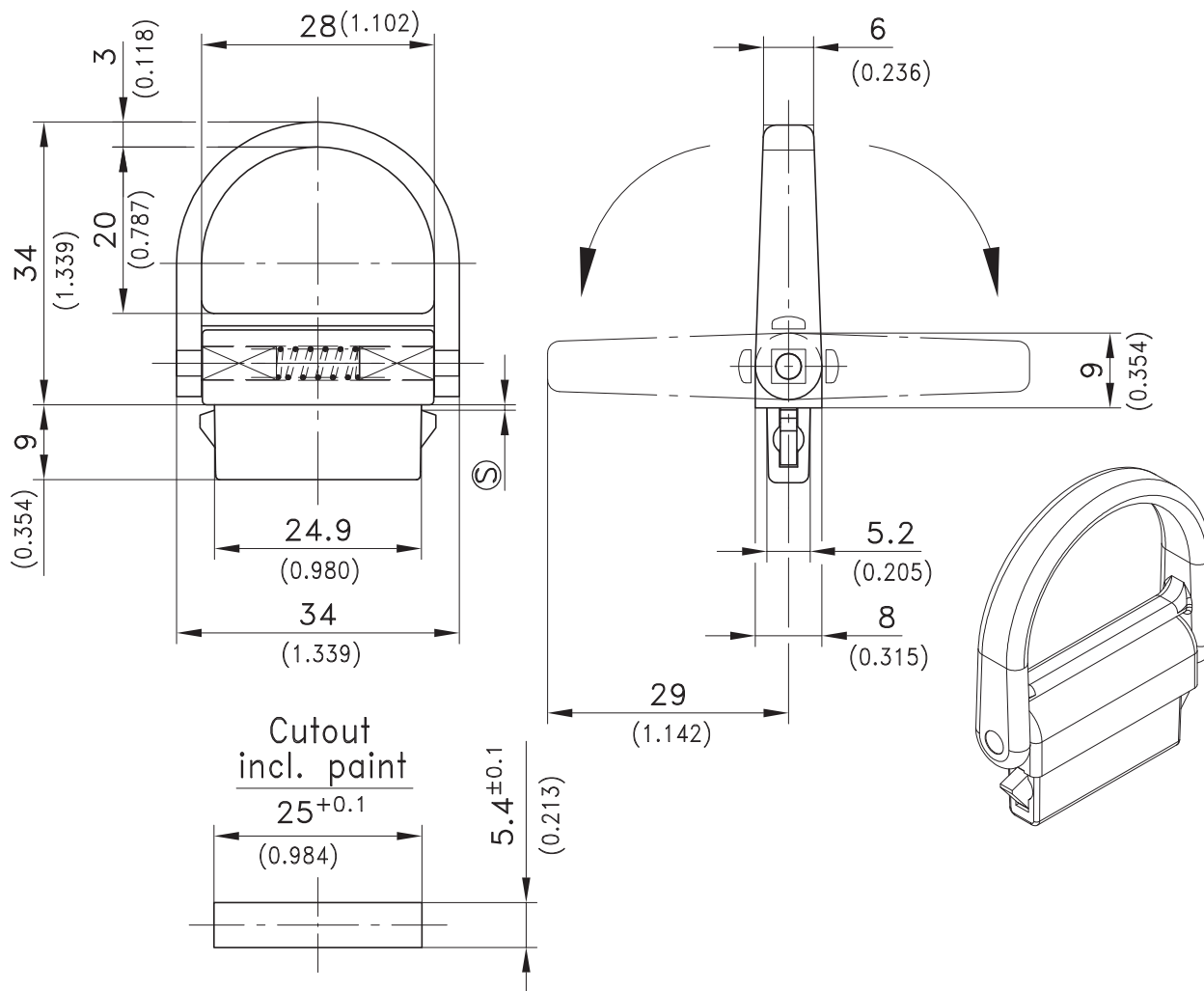


## Product Notes:

- Smooth surface
- Space saving design
- Handle folds down for low profile
- Installed by a simple push into the cutout

## Material:

- **Handle:** Zinc Die, Matt Chrome Plated
- **Pins:** Steel, Zinc Plated
- **Spring:** Spring Steel, Zinc Plated
- **Other surfaces on request**
- **Wings:** Sintered Steel



	Clamping Range <sup>Ⓢ</sup>	Part No.	See Page
Folding Finger Pull Handle	0.8 - 1.1	413-9016.00-00811	
	1.2 - 1.5	413-9016.00-01215	
	1.8 - 2.1	413-9016.00-01821	
	2.2 - 2.5	413-9016.00-02225	
Other <sup>Ⓢ</sup> dimensions on request			
Tool for uninstallation		292-0306.80-02530	10.17