

6-1200.02SL Finger Pull Handle SNAP-LINE

Tool-less installation, Surface mount, Front installation

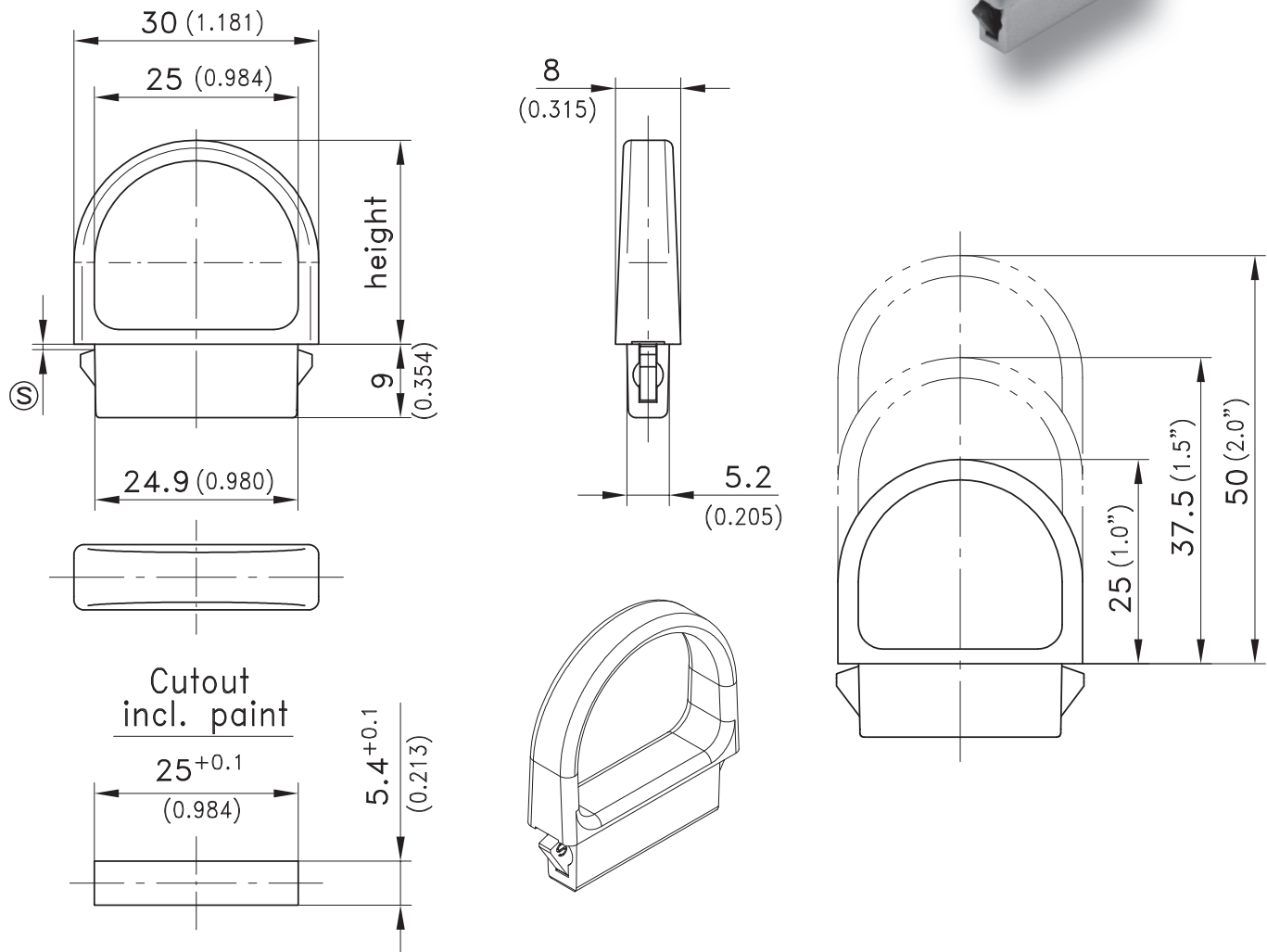


Product Notes:

- Smooth surface
- Installed by a simple push into the cutout

Material:

- **Handle:** Zinc Die, Matt Chrome Plated
- **Other surfaces on request**
- **Wings:** Sintered Steel



	Clamping Range [Ⓢ]	Height 25mm	Height 37.5mm	Height 50mm	See Page
Finger pull	0.6 - 0.9	413-9009.40-00609	413-9010.40-00609	on request	
handle	0.8 - 1.1	413-9009.40-00811	413-9010.40-00811	on request	
	1.2 - 1.5	413-9009.40-01215	413-9010.40-01215	on request	
	1.8 - 2.1	413-9009.40-01821	413-9010.40-01821	on request	
	2.2 - 2.5	413-9009.40-02225	413-9010.40-02225	on request	
	2.4 - 2.7	413-9009.40-02427	413-9010.40-02427	on request	
Other [Ⓢ] dimensions on request					
Tool for uninstallation		292-0306.80-02530	292-0306.80-02530	292-0306.80-02530	10.17