

6-1200.01SL Finger Pull Handle SNAP-LINE

Tool-less installation, Surface mount, Front installation

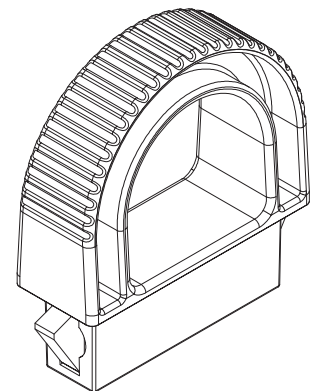
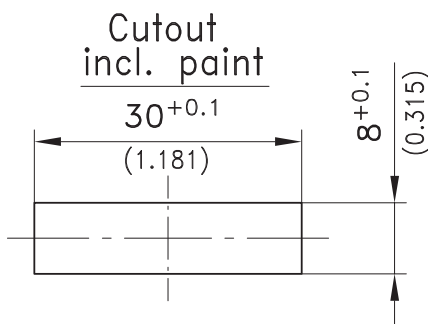
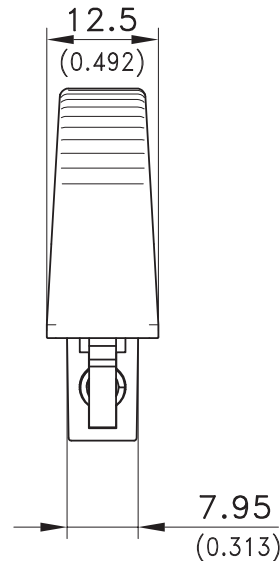
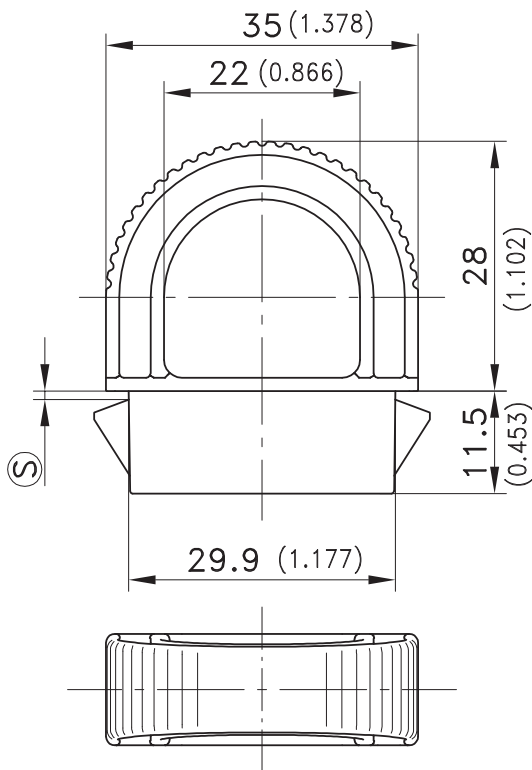


Product Notes:

- Serrated grip
- Reinforcement plate for thin panels available
- Installed by a simple push into the cutout

Material:

- **Handle:** Zinc Die, Matt Chrome Plated or PA black
- **Other surfaces on request**
- **Wings:** Sintered Steel



Clamping Range [Ⓢ]	PA Black	Zinc Die Matt Chrome Plated	See Page
0.8 - 1.5	413-9001.00-00015	413-9008.00-00015	
1.3 - 2.0	413-9001.00-00020	413-9008.00-00020	
1.5 - 2.2	413-9001.00-00022	413-9008.00-00022	
2.8 - 3.5	413-9001.00-00035	413-9008.00-00035	
Other [Ⓢ] dimensions on request			
Reinforcement plate for cutout 30x8 and 30x10mm	292-0702.15-01030	292-0702.15-01030	10.16
Tool for uninstallation	292-0306.80-02530	292-0306.80-02530	10.17