

6-1330SL Revolving Pull Handle SNAP-LINE

Tool-less installation, Flush mount, Front installation, Concealed handle

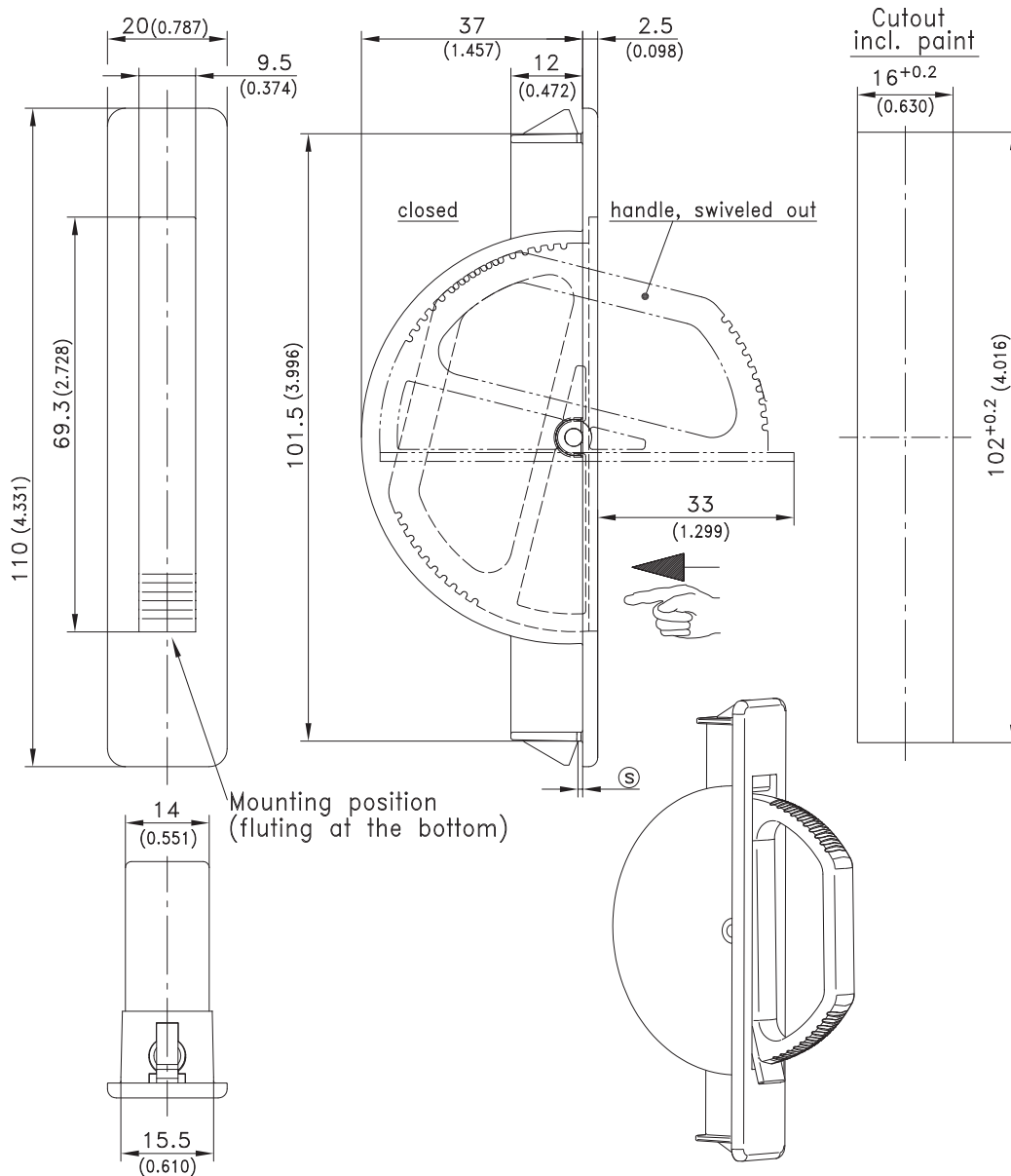


Product Notes:

- Vertical and horizontal application
- Handle swivels out by pushing on rimmed area.
Handle swivels closed by rotating into the housing.
- Installed by a simple push into the cutout

Material:

- **Handle and dish:** PA, Black
- **Pin:** Steel, Zinc Plated
- **Wings:** Sintered Steel



	Clamping Range Ⓢ	Part No.
Revolving Handle	0.8 - 1.5	413-9005.00-00015
	1.3 - 2.0	413-9005.00-00020
Other Ⓢ dimensions on request		