

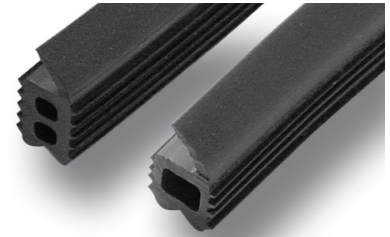
# 5-110.02 Channel Sealing Profiles

**Product Notes:**

- Several versions for different door bendings available
- For additional features - see Product System 5-100
- Tolerances - see page 05.07

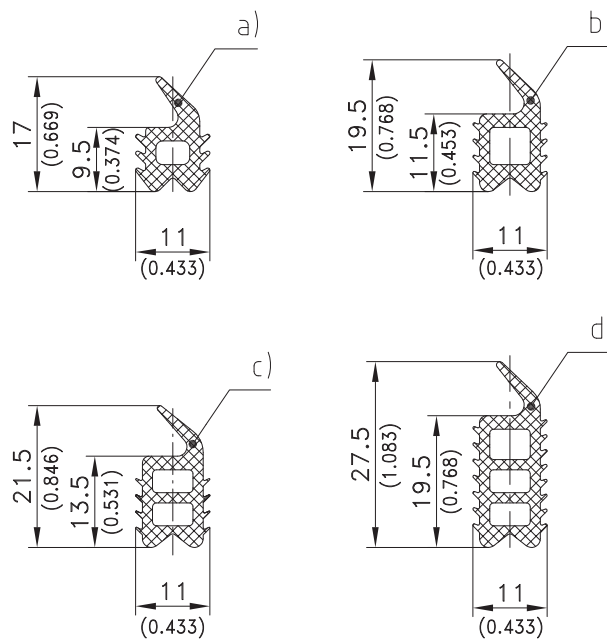
**Material:**

- **Profiles:** PVC

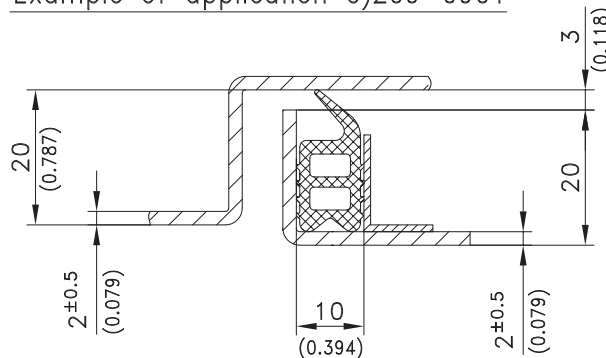


**Customized designs:**

- If the cross-sections shown are not suitable, customized profile can be developed to meet application need



Example of application c)209-0901



	Material	Color	Packaging Unit	Part No.
a)	PVC	Black	100m	209-0903
b)	PVC	Black	20m	209-0902
c)	PVC	Black	50m	209-0901
d)	PVC	Black	100m	209-0904