

5-100 Channel Sealing Profiles



Product Notes:

- 4-lip profiles for optimal sealing of doors and panels, with high tolerance compensation at minimal compression
- Balanced sealing properties between gasket/frame and gasket/door
- Special lips on the profiles allow defined longitudinal movement but prevent the profiles from falling out when opening the door which results in the compression forces between gasket/frame and gasket/door being nearly the same
- The double symmetry of the 4-lip profiles prevents incorrect fitting
- Profile characteristics are the same in high pressure and vacuum applications
- Can be used for 90° corners without warping or folding
- Tolerances - see page 05.07

Material:

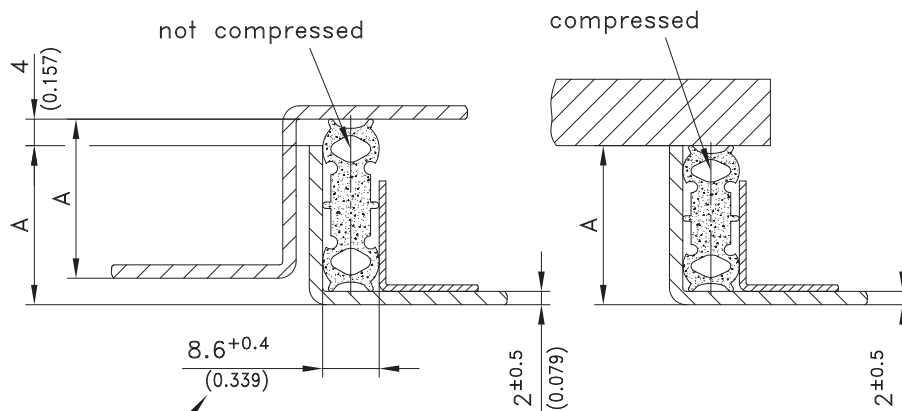
- **Sponge rubber quality:** EPDM

Customized designs:

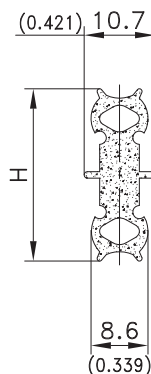
- If the cross-sections shown are not suitable, customized profile can be developed to meet application need



Examples of application



Groove width must not be smaller than 8.6mm(0.339).
The best sealing result is only achieved in case the gasket can move freely in the groove and is only hold in position by the 2 central "ears".



Color	H (height) mm / inch	A (bending) mm / inch	Packaging Unit	Part No.
Black	18 / 0.709	16+1 / 0.630+0.039	40m	209-0118
Black	20 / 0.787	18+1 / 0.709+0.039	40m	209-0120
Black	22 / 0.866	20+1 / 0.787+0.039	40m	209-0122
Black	24 / 0.945	22+1 / 0.866+0.039	40m	209-0124
Black	26 / 1.024	24+1 / 0.945+0.039	40m	209-0126
Black	28 / 1.102	26+1 / 1.024+0.039	40m	209-0128