

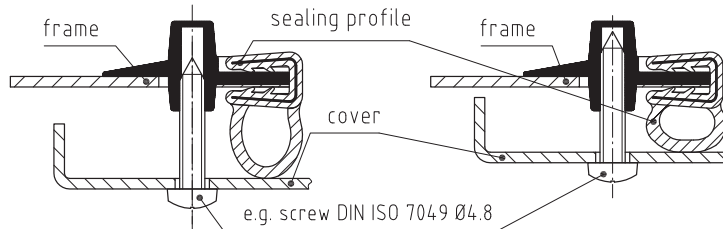
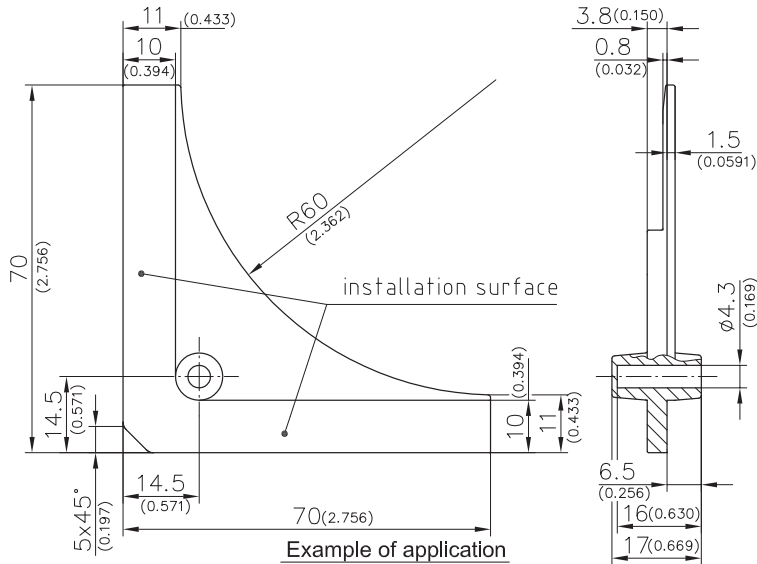
5-171 Radius Adapter

Product Notes:

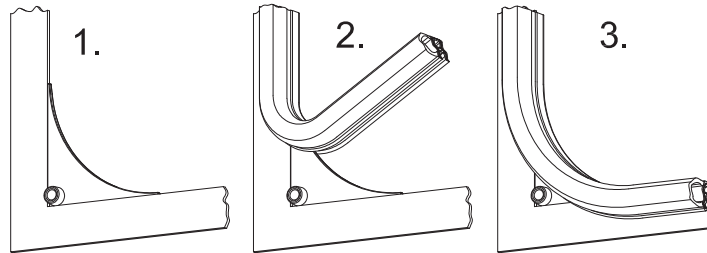
- Radius Adapter simplifies installation for clip-on sealings by creating a radius at 90° inside corners
- Radius Adapter is easily installed and kept in position at the flange of the housing by the clip-on U-part of the sealing profile.
- Housing covers can be screwed to the frame using the integrated device for self tapping screw

Material:

- **Radius Adapter:** PA6 30GF, Black



Installation process. View from the outside.



Installation process. View from the inside.

