

5-140 Window Seals



Product Notes:

- Window seals are used to mount window panes in doors, casings and machine enclosures
- Pane is mounted by simply pressing it into the window seal
- Pane is inside or outside the enclosure and is well-suited for use under high pressure or vacuum conditions.
- Tolerances - see page 05.07

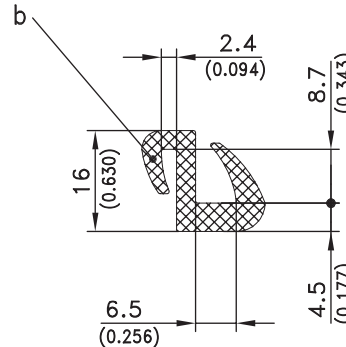
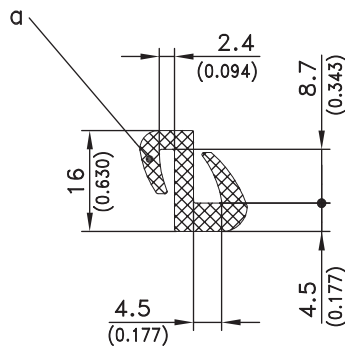
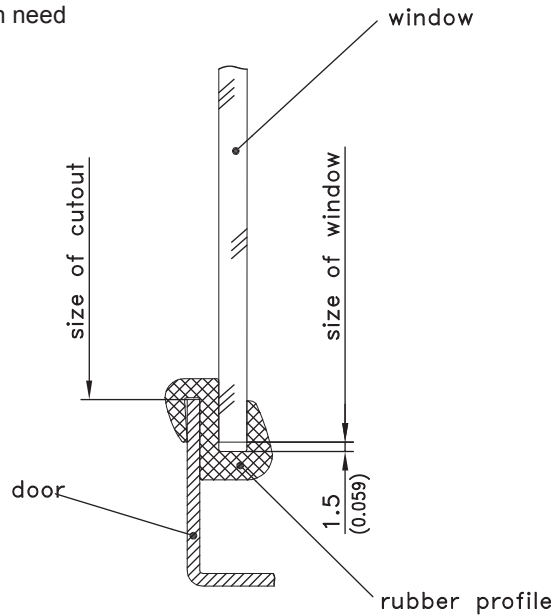
Material:

- **Rubber quality:** EPDM or NBR
- NBR is oil-resistant



Customized designs:

- If the cross-sections shown are not suitable, customized profile can be developed to meet application need



	Color	Bending Radius	Packaging Unit	Material	Part No.
a)	Black	min 80mm	100m	rubber / EPDM	209-0401
	Black	min 80mm	100m	NBR	209-0406
b)	Black	min 80mm	100m	rubber / EPDM	209-0402
	Black	min 80mm	100m	NBR	209-0407

Dimension sheet metal cutout is equivalent to dimension window - 14.5mm/0.571