

5-131 Window Seals



Product Notes:

- Window seals are used to mount window panes in doors, casings and machine enclosures
- Pane is clamped in place with filler and held flush mounted in the cutout
- Tolerances - see page 05.07
- Material is neutral to paint
- Material has excellent weathering and ozone resistance properties

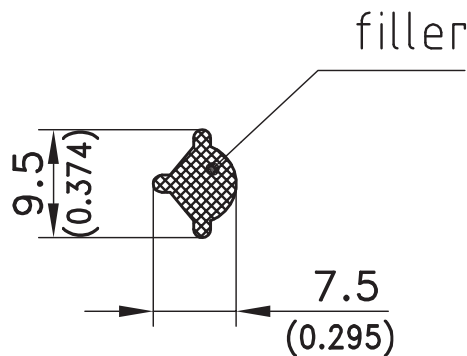
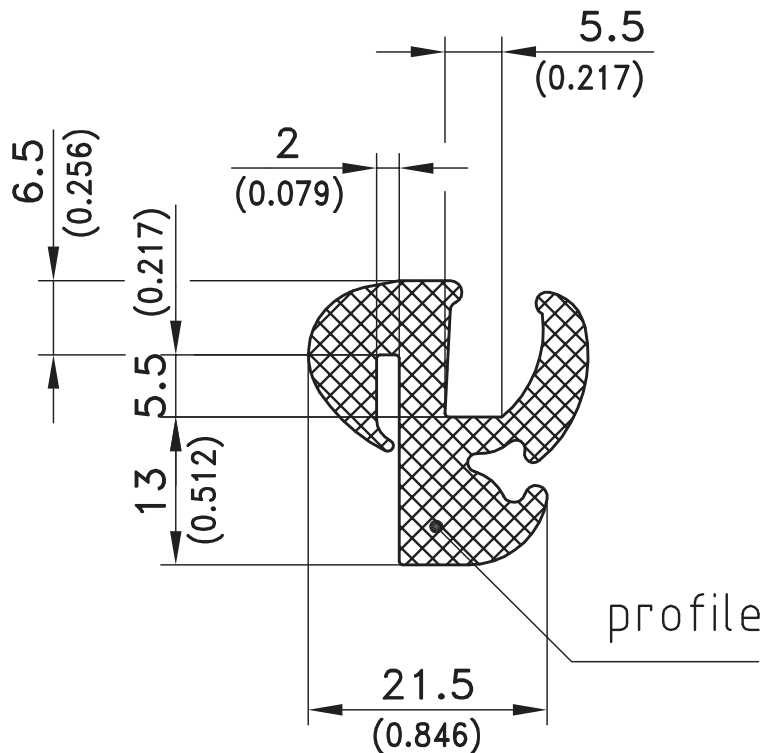
Material:

- **Window seals:** EPDM



Customized designs:

- If the cross-sections shown are not suitable, customized profile can be developed to meet application need



Color	Packaging Unit	Part No.	Filler Part No.
Black	15m	209-0504	209-0602