

5-161 Edge Protections



Product Notes:

- Edge protections provide smooth edge without additional machining
- Decorative effect is achieved without additional metal machining work
- Edge protection profiles are flexible
- U-shaped steel clip-on tape with a EPDM jacketing provides firm seating on metal edges even with small radii or bends.
- Profile is simply pressed onto the metal edge by hand. There is no need for tools or adhesives
- Tolerances - see page 05.07

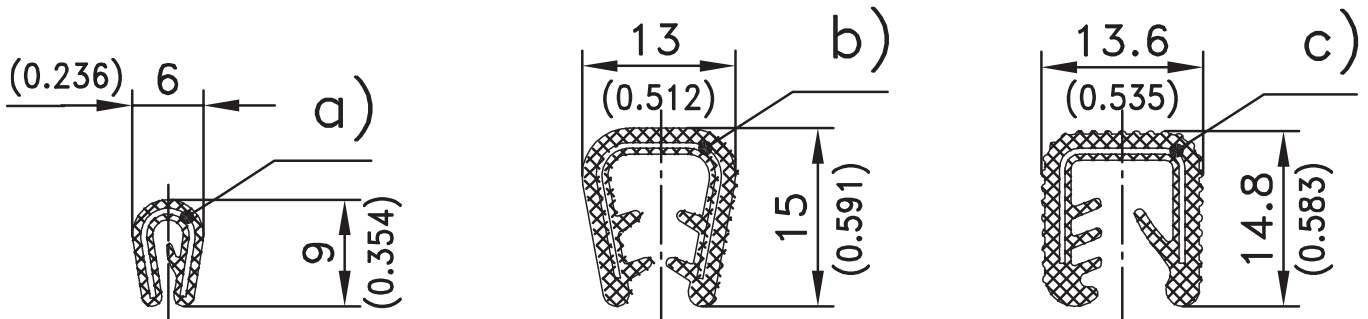
Material:

- **Edge Protection:** EPDM, Black with Steel Spring Core



Customized designs:

- If the cross-sections shown are not suitable, customized profile can be developed to meet application need



Color	Clamping Range	Packaging Unit	Part No.
a) Black	1.0 - 2.0mm	*	209-0824*
b) Black	5.0 - 8.0mm	*	209-0825*
c) Black	5.0 - 6.0mm	*	209-0826*

* Quantity, price and delivery time on request.