

5-155 Special Profiles



Product Notes:

- Tolerances - see page 05.07

Material:

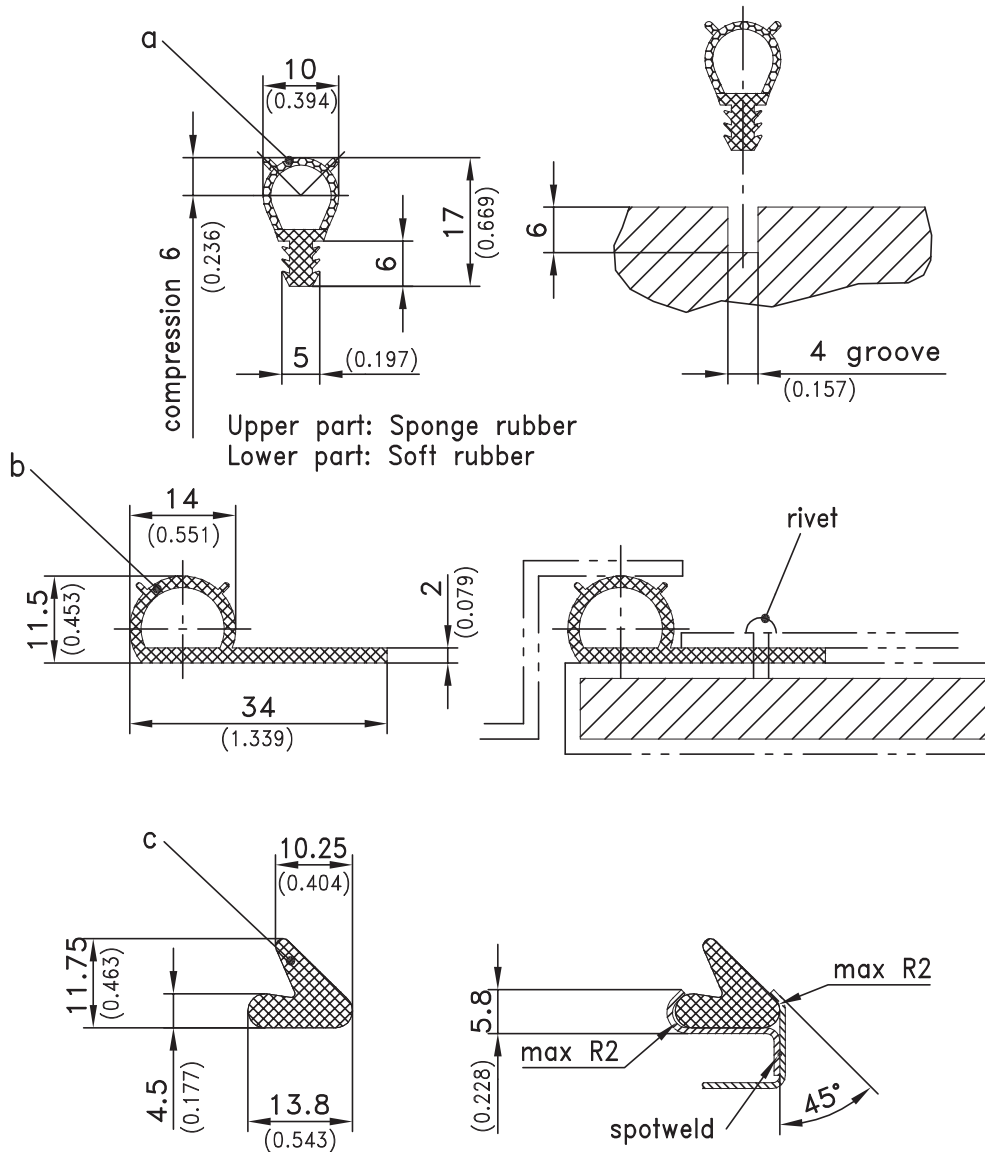
- Special profiles: EPDM

Customized designs:

- If the cross-sections shown are not suitable, customized profile can be developed to meet application need



Examples of application



| Material | Color | Packaging Unit | Part No. |
|-----------------------|-------|----------------|----------|
| a) EPDM | Black | 50m | 209-0704 |
| b) EPDM / 55° Shore A | Black | 50m | 209-1203 |
| c) EPDM / 15° Shore A | Black | 50m | 241-0903 |