

5-153 Clip-on Sealing Profiles

Product Notes:

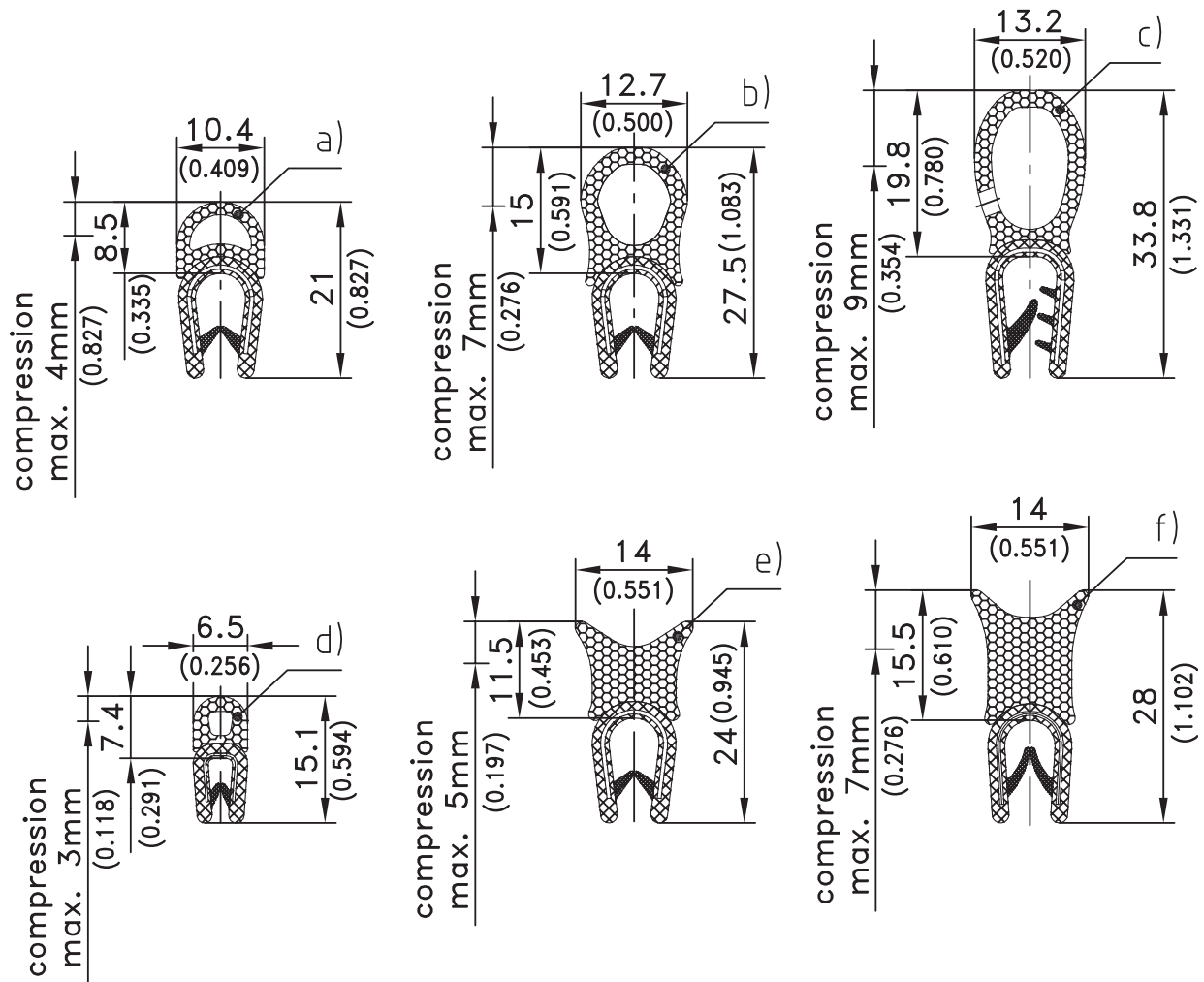
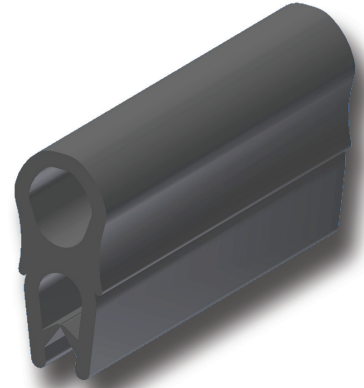
- Combination sealing profiles extend the properties of edge protection profiles to include sealing
- Profile clips onto sheet metal edge
- The combination profiles consist of PVC with closed cell sponge rubber
- Profiles can have up to two glued joints
- Material has high age resistance and great elasticity

Customized designs:

- If the cross-sections shown are not suitable, customized profile can be developed to meet application need

Material:

- **Carrier:** PVC
- **Sealing part:** Sponge rubber, EPDM



	Material	Color	Clamping Range	Packaging Unit	Part No.
a)	PVC / sponge rubber, EPDM	Black	1.0 - 4.0mm	50m	209-0213
b)	PVC / sponge rubber, EPDM	Black	1.0 - 4.0mm	50m	209-0215
c)	PVC / sponge rubber, EPDM	Black	2.0 - 4.0mm	50m	209-0216
d)	PVC / sponge rubber, EPDM	Black	1.0 - 2.0mm	100m	209-0222
e)	PVC / sponge rubber, EPDM	Black	1.0 - 4.0mm	50m	209-0227
f)	PVC / sponge rubber, EPDM	Black	1.0 - 4.0mm	50m	209-0238