

5-152 Clip-on Sealing Profiles

EPDM

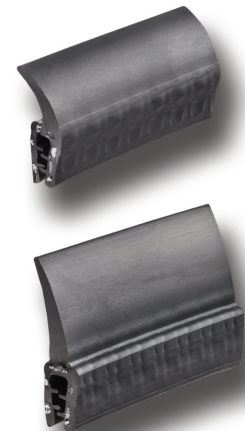


Product Notes:

- Clip-on sealing profiles combine the characteristics of edge protection profiles and sealing profiles
- Profile clips onto sheet metal edge
- Sealing part of the profiles is sponge rubber. The clamp area is soft rubber with a steel core. In an extrusion process the two materials are bonded to each other through vulcanization.
- Tested according to UL Standards
- Sealing profile also available in UL tested material (UL94 HB).

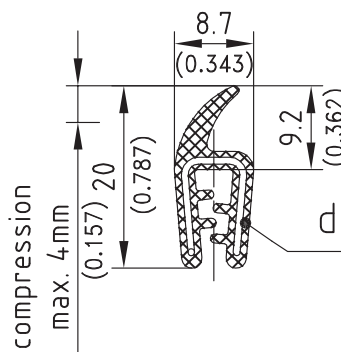
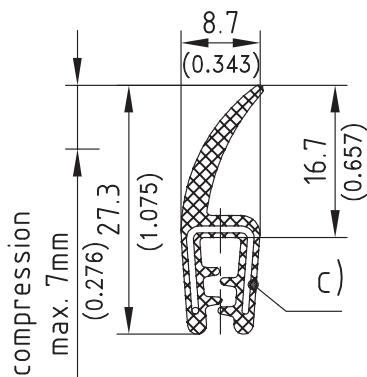
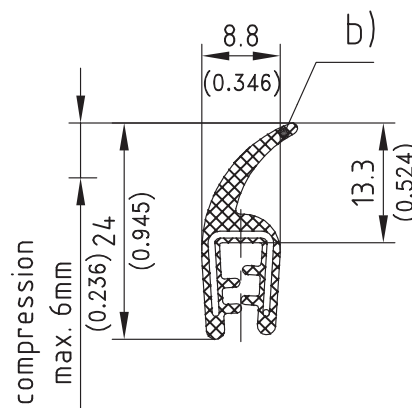
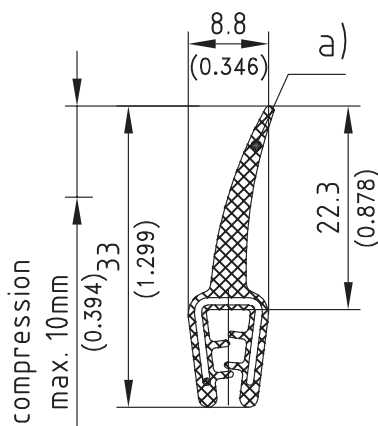
Material:

- **Clip-on profiles:** EPDM
- **Carrier:** Soft Rubber
- **Sealing part:** Sponge Rubber



Customized designs:

- If the cross-sections shown are not suitable, customized profile can be developed to meet application need



Material	Color	Clamping Range	Packaging Unit	Part No.	UL (UR)
a) EPDM, soft- / sponge rubber	Black	1.0 - 2.5mm	50m	209-0219	*
b) EPDM, soft- / sponge rubber	Black	1.0 - 2.5mm	50m	209-0221	
c) EPDM, soft- / sponge rubber	Black	1.0 - 3.0mm	50m	209-0237	
d) EPDM, soft- / sponge rubber	Black	1.0 - 2.0mm	50m	209-0239	